

# SUNSHADE

MODEL 9454

FOR JOHN DEERE

STX 30 - 38

## OPERATION - PARTS LIST - ASSEMBLY

---

### **!! IMPORTANT !!**

READ THIS OPERATION MANUAL CAREFULLY AND KEEP FOR FUTURE  
REFERENCE

---

### **!! WARNING !!**

THIS SUNSHADE WILL NOT PROTECT OPERATOR FROM INJURIES CAUSED BY ROLL-  
OVER, COLLISION OR OTHER ACCIDENTS

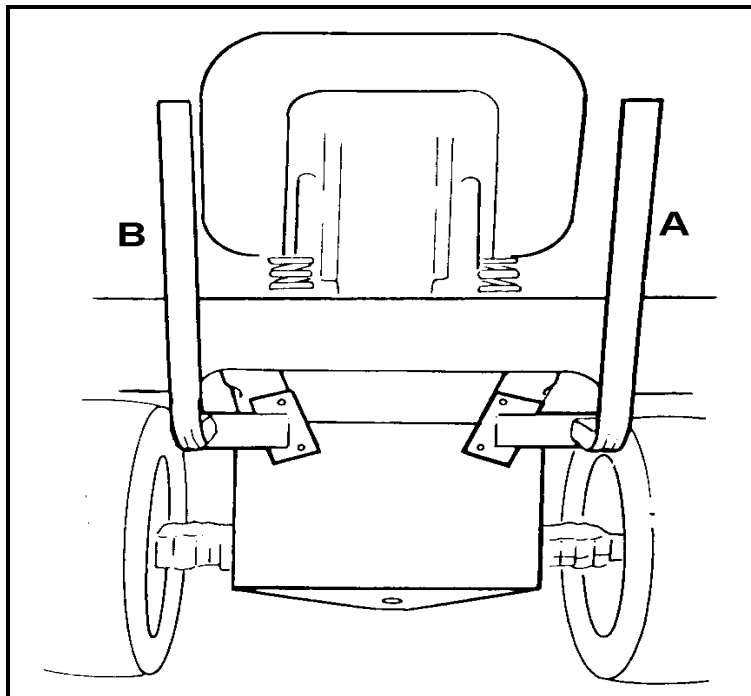
---

Original Tractor Cab Co., Inc.  
6849 West Front Street  
Arlington, IN 46104

P-765-663-2214 ,F-765-663-2101, [www.originalcab.com](http://www.originalcab.com)

**SUNSHADE #9454  
PARTS LIST**

PART #	QTY	KEY #	DESCRIPTION
9455	1	A	RECEIVER, RH
9456	1	B	RECEIVER, LH
9289	1	1	BOW, FRONT
9290	1	2	BOW, TOP
9291	1	3	BOW, REAR
9347	1	4	POST, RH
9348	1	5	POST, LH
9349	1	6	BRACE
9351	1	7	brace
9295-Y	1		VINYL COVER
9442	1		HARDWARE PACKAGE (Contents listed below)
786	10	HWP	CAPSCREW, 1/4"-20x5/8" hex
730	14	HWP	LOCKNUT, 1/4"-20
788	4	HWP	CAPSCREW, 1/4"-20x5/8" hex



**FIGURE 1: RECEIVERS [A & B]  
INSTALLATION INSTRUCTIONS  
SUNSHADE MODEL #9454**

COMPLETELY READ INSTRUCTIONS BEFORE BEGINNING INSTALLATION

THE RIGHT SIDE OF THE MACHINE IS DETERMINED FROM THE SEATED  
POSITION OF THE OPERATOR

**STEP 1; SEE FIGURE 1:**

INSTALL:  
RECEIVERS[A & B]

- A. Insert four 1/4"-20x3/4" capscrews out through the holes in the rear of the tractor frame.
- B. Place the RECEIVERS[A & B] on the bolts and add 1/4"-20 locknuts. Securely tighten bolts.

**STEP 2; SEE FIGURE 2:**

Assemble shade frame:  
FRONT[1], REAR[3] & TOP[2] BOWS

- A. Lay FRONT BOW[1] and REAR BOW[3] on a flat surface. Align hole "A" of the front bow with hole "a" of the rear bow. Hole "B" should be in alignment with hole "b" now. Align the other side likewise.
- B. At hole "Bb" bolt the two pieces together as shown using ONE 1/4"x5/8" bolt and 1/4" locknut. Repeat for opposite side.  
**Tighten securely.**
- C. At hole "Aa" bolt TOP BOW[2] to front & rear bows as shown using ONE 1/4"x5/8" bolt and 1/4" locknut. Finger tighten. Repeat for opposite side.

**STEP 3; SEE FIGURE 2:**

Attach posts & braces to shade frame:  
RH POST[4], LH POST[5] & BRACE[6]

- A. Fold top bow down onto front bow and turn assembly completely over.
- B. At hole "d" bolt RH POST[4] onto rear bow using ONE 1/4"x5/8" bolt and 1/4" locknut. Repeat for LH POST[5] on the opposite side.  
**Only FINGER TIGHT at this time.**
- C. At hole "c" bolt BRACE[6] onto rear bow using ONE 1/4"x5/8" bolt and 1/4" locknut. Repeat for BRACE[6] on the opposite side.  
**Only FINGER TIGHT at this time.**
- D. Bolt BRACE[6] to tab on square end of RH POST[4] using ONE 1/4"x5/8" bolt and 1/4" locknut. Repeat for BRACE[6] & LH POST[5] on the opposite side. Snug all bolts **EXCEPT** TOP BOW[2].



**STEP 4:**

Install sun shade assembly

- A. Lightly lubricate square ends of posts with wax.
- B. Hold assembly by round part of post. Slide square ends of post into square ends of RECEIVERS[A & B]. Allow posts to go as far into receivers as possible. **DO NOT FORCE.**
- C. Completely tighten all bolts **EXCEPT** the top bow bolts.

**STEP 5:**

Install:  
VINYL COVER

- A. Pull front pocket of vinyl cover over leading edge of front bow. Continue to pull cover toward rear of frame. Pull rear pockets over rear of frame and down.
- B. Pivot TOP BOW[2] up into place against vinyl cover until cover is snug in place front and rear.
- C. Tighten top bow bolts completely.

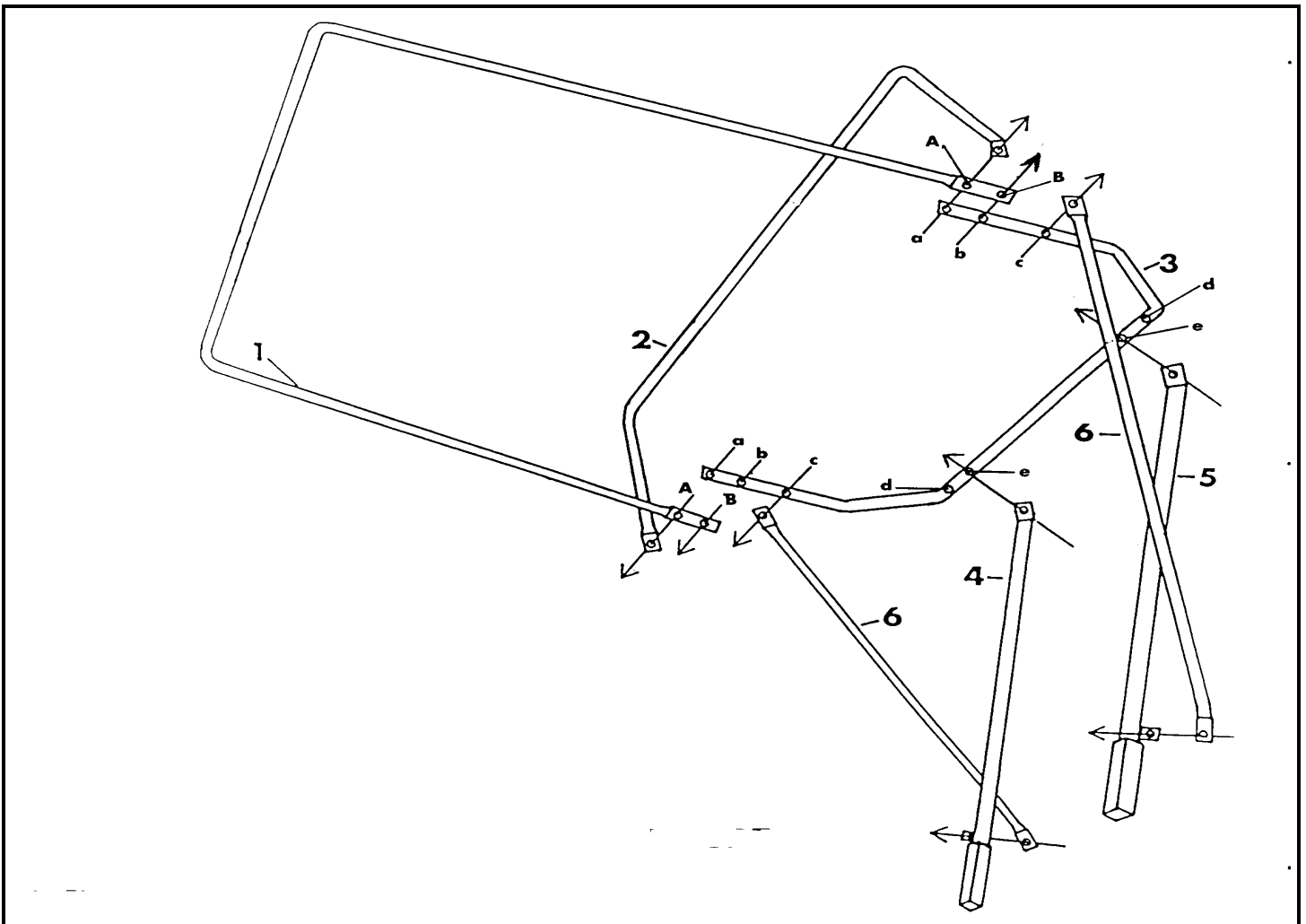


FIGURE 2