

SNOW CAB FOR TORO WHEEL HORSE 260 Series & XT Series TRACTORS

MODEL 79970

OPERATION - PARTS LIST - ASSEMBLY

IMPORTANT

You **must remove** the doors and vinyl cover from the frame of the cab **before** transporting the machine on an open trailer or in an open truck, whose speed will exceed **25 MPH.**

! IMPORTANT!

READ THIS OPERATION MANUAL CAREFULLY AND KEEP FOR FUTURE REFERENCE

CAB MODEL 79970 FOR TORO WHEEL HORSE 260 SERIES

| PART# | KEY # | QTY | DESCRIPTION |
|----------|-------|-----|--|
| 10478 | 1 | 1 | FRONT PANEL FRAME LEG, RH |
| 10479 | 2 | 1 | FRONT PANEL FRAME LEG, LH |
| 10482 | 3 | 1 | FRONT PANEL BRACE, RH |
| 10497 | 4 | 1 | FRONT PANEL BRACE, LH |
| 10485 | 5 | 1 | VINYL SUPPORT, RH |
| 10486 | 6 | 1 | VINYL SUPPORT, LH |
| 10480 | 7 | 1 | FOOT, RH |
| 10481 | 8 | 1 | FOOT, LH |
| 10004 | 9 | 1 | FRONT POST (straight) |
| 10005 | 10 | 1 | FRONT POST (bent) |
| 10010 | 11 | 1 | FRONT PANEL FRAME CROSS BAR |
| 10002 | 12 | 1 | TOP FRAME BRACE, RH |
| 10003 | 13 | 1 | TOP FRAME BRACE, LH |
| 10483 | 14 | 1 | REAR BRACKET, RH |
| 10484 | 15 | 1 | REAR BRACKET, LH |
| 10750 | 16 | 1 | REAR POST, RH |
| 10751 | 17 | 1 | REAR POST, LH |
| 10292 | 18 | 1 | BOXING POST, RH |
| 10293 | 19 | 1 | BOXING POST, LH |
| 10001 | 20 | 1 | TOP FRAME |
| 10749-R | 21 | 1 | WINDSHIELD |
| 10507-RV | 22 | 1 | FRONT PANEL VINYL |
| 10508-R | 23 | 1 | REAR CURTAIN |
| 10509-R | 24 | 1 | DOOR, RH |
| 10491 | 25 | 1 | DOOR BOTTOM, RH |
| 10510-R | 26 | 1 | DOOR, LH |
| 10492 | 27 | 1 | DOOR BOTTOM, LH |
| 10499 | 28 | 1 | CHUTE CONTROL BRACKET |
| 4411 | 29 | 1 | 3/4" 'U' CLAMP |
| 10000 | 30 | 1 | PLASTIC TOP |
| 9820 | | 1 | DOOR HARDWARE PACKAGE (Instructions & parts list in package) |
| 10493 | HWP | 1 | HARDWARE PACKAGE (Contents listed on next page) |
| 11077 | | 1 | SUPPORT, CHUTE CONTROL |

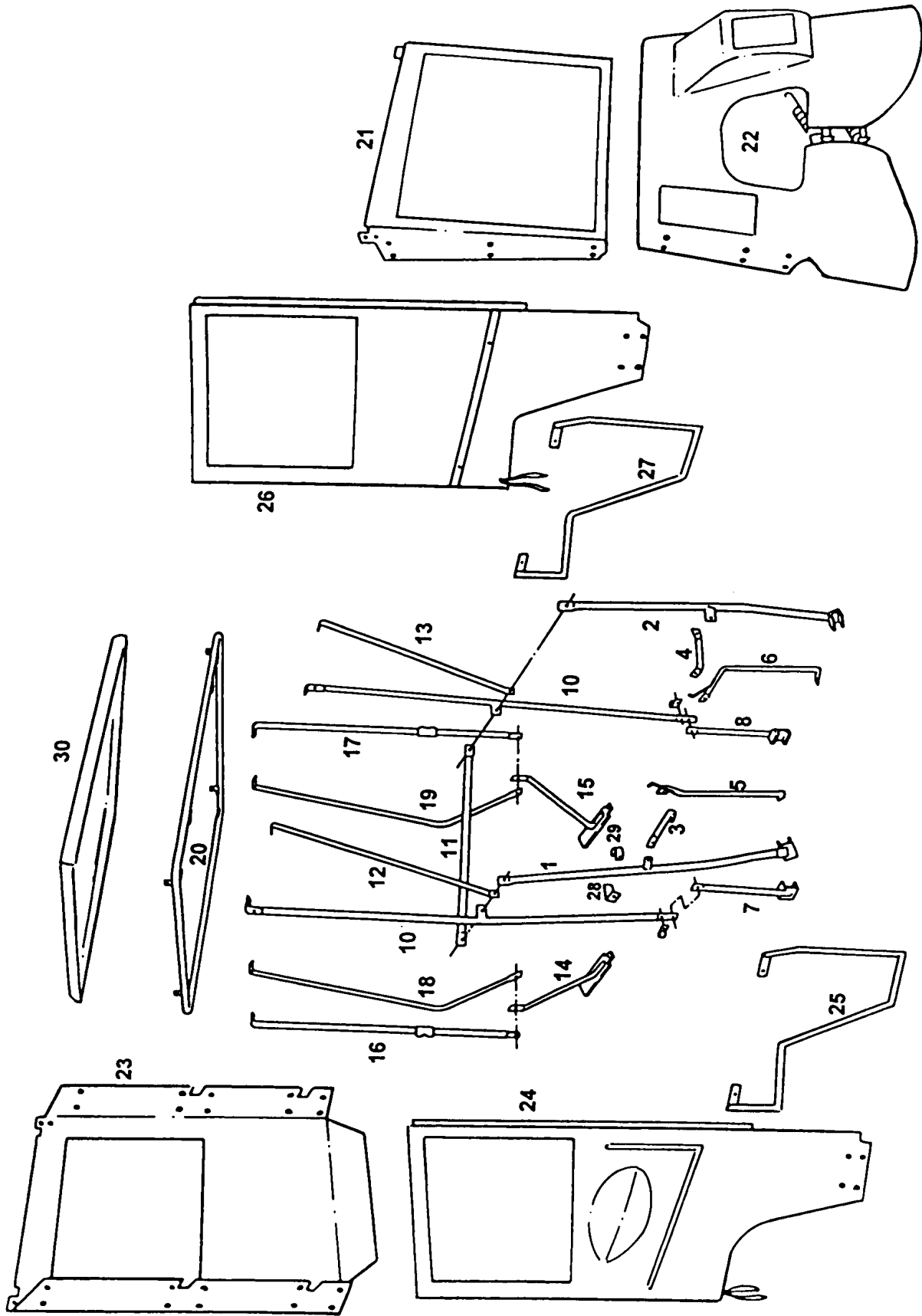


FIGURE 1

HARDWARE PACKAGE #10493

| PART # | QTY | DESCRIPTION |
|--------|-----|--|
| 788 | 20 | CAPSCREW, 1/4" x 3/4" |
| 786 | 2 | CAPSCREW, 1/4" x 5/8" |
| 730 | 22 | LOCKNUT, 1/4" |
| 3951 | 4 | WASHER, 1/4" FLAT |
| 2187 | 1 | CAPSCREW, 5/16" x 1 1/2" |
| 785 | 5 | CAPSCREW, 5/16" x 1" |
| 4580 | 4 | SCREW, 5/16" x 1 3/4" ROUND HEAD MACHINE |
| 729 | 1 | LOCKNUT, 5/16" |
| 4557 | 1 | WASHER, 5/16" FENDER |
| 7334 | 2 | SCREW, #10-32 x 3/4" ROUND HEAD MACHINE |
| 5881 | 2 | WASHER, #10 FLAT |
| 7348 | 2 | KEPNUT, #10 |
| 4902 | 2 | PLASTIC PROTECTOR |
| 6835 | 1 | CLIP, HITCH PIN |
| 7628 | 1 | SCREW, #10-24 x 1/2" SELF TAPPING |
| 11076 | 1 | EXTENSION 'U' JOINT |



WARNING



1. This cab is designed to provide foul weather protection only. It does not provide protection from noise, exhaust fumes, chemicals or injury from collision, rollover or other accidents.
2. Do not operate machine in confined areas without proper ventilation.
3. Thoroughly check area of operation before using machine.
4. The cab adds height to the machine. Low tree limbs and other overhead structures that did not interfere with the operation of the machine before, may now be obstacles.

MAINTENANCE INSTRUCTIONS

- A. Periodically check all bolts to see that they are tight. If bolts become loose, failure of cab parts may occur.
- B. Door latches and hinges should be lubricated with light machine oil for proper operation.

**DO NOT CLEAN THE CLEAR PLASTIC WINDOWS WHEN THE PLASTIC IS DRY.
THE CLEAR PLASTIC WILL SCRATCH.**

- C. Avoid contact with plastic windows. Keep plastic windows clean by washing them with clear running water and rubbing with your bare hands, only. The use of a rag, sponge or brush will scratch the plastic. Liquid soap may also be used for window cleaning. During freezing weather, an automotive windshield washer solvent may be used.
- D. Use liquid soap and water to clean colored vinyl portions. Scrubbing with a brush or rag is also permitted on the colored vinyl portions.

STORAGE INSTRUCTIONS

Prior to storage clean the windows and colored vinyl parts with a mild automotive detergent, rinse with clean water and allow to thoroughly dry, Store cab in a clean dry place out of direct sunlight. Avoid folding plastic windows.

CAUTION

ALWAYS REMOVE VINYL COVERS BEFORE TRANSPORTING MACHINE ON AN OPEN TRAILER OR IN AN OPEN TRUCK, WHOSE SPEED WILL EXCEED 25 MPH.

OPTIONAL ACCESSORIES

#10120 Safety Glass Windshield
#10122 12 volt Elec. Windshield Wiper

#10121 Hand Operated Wiper
#9855 Amber Caution Light



WARNING

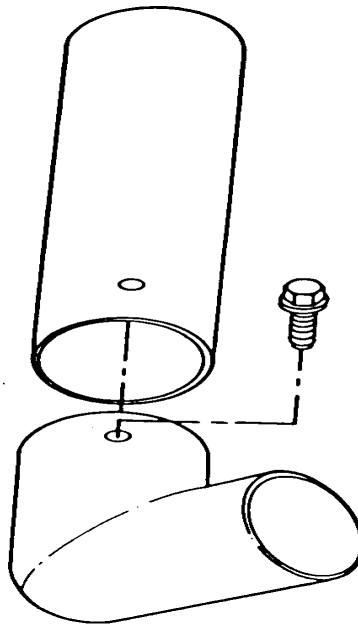


TO AVOID SERIOUS INJURY OR DEATH

THIS CAB **MUST** BE USED WITH THE EXHAUST DEFLECTOR PROVIDED. IF THE EXHAUST DEFLECTOR IS NOT INSTALLED, A DANGEROUS BUILD UP OF DEADLY CARBON MONOXIDE INSIDE THE CAB IS POSSIBLE.

EXHAUST DEFLECTOR INSTALLATION INSTRUCTIONS

- A. Fit the exhaust deflector and as needed reducer collar(s) to the engine exhaust pipe.
- B. Rotate the exhaust deflector and as needed reducer collar(s) on the exhaust pipe until the hole in the exhaust deflector (reducer collar(s)) is on the top most side of the engine exhaust pipe. Mark the hole position on the exhaust pipe.
- C. Remove the part(s) from the exhaust pipe and drill an 1/8" hole in the exhaust pipe 3/8 of an inch from the end of the exhaust pipe and in line with your mark.
- D. Slip the exhaust extension and as needed reducer collar(s) back on the engine exhaust pipe, align holes and secure with screw



EXHAUST DEFLECTOR 10823

EXHAUST REDUCER COLLAR 11080 (MEDIUM)

EXHAUST REDUCER COLLAR 11079 (SMALL)

INSTALLATION INSTRUCTIONS

READ THESE INSTRUCTIONS COMPLETELY BEFORE BEGINNING INSTALLATION.

THE RIGHT SIDE OF THE TRACTOR IS DETERMINED FROM THE OPERATORS SEATED POSITION.

The word "BOLT" will refer to a 1/4" x 3/4" capscrew and the word "NUT" will refer to a 1/4" lock nut while using these installation instructions.

OPTIONAL STEPS FOR SNOWBLOWER ATTACHMENTS

Single Stage:

Remove the chute control crank and the support arm. This support arm will not be needed while using this cab.

2 Stage:

1. Remove the chute control crank and the support arm. This support arm will not be needed while using this cab.
2. Remove the lift handle. It is necessary to unbend it about 10° to clear the installed cab. (Unbending is best accomplished using a bench mounted vice. Clamp the lift handle as close as possible to the bend.)

STEP 1; SEE FIGURE 2:

INSTALL: (Right & left sides)
RH VINYL SUPPORT [5]

- A. Raise the engine hood to allow access to the nut that holds the bolt at reference (A). Remove the bolt at reference (A) on both sides of the tractor. Remove the plastic button from the step plate at reference (B)

- B. Place the RH VINYL SUPPORT [5] on the step plate. Insert a #10 x 3/4" round head machine screw with a #10 flat washer through the bent flattened end of the part and down into the step plate. Secure with a #10 kepnut.

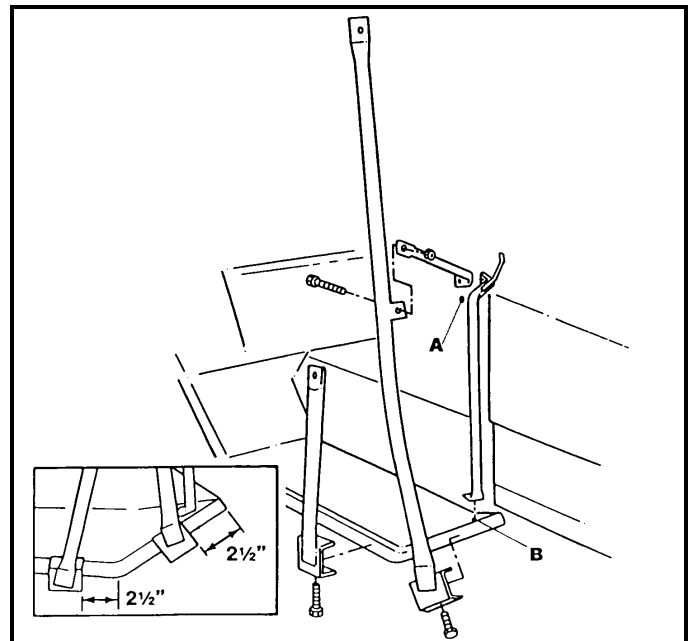


FIGURE 2

STEP 2; SEE FIGURE 2:

INSTALL: (Right & left sides)

RH & LH FRONT PANEL FRAME LEGS [1 & 2]
RH & LH FRONT PANEL BRACES [3 & 4]

- A. Insert a 5/16" x 1 3/4" screw into the threaded hole of the 'C' clamp end of the RH & LH FRONT PANEL FRAME LEGS [1 & 2].
- B. Place the 'C' clamp over the outside edge of the step plate. Position the part about 2 1/2" from the front edge of the footplate. (See insert of figure 2) Tighten screw enough to hold part in position.
- C. Insert a 1/4" X 5/8" bolt forward through the tab on the front panel frame leg. Place the flattened slightly bent end of the FRONT PANEL BRACE [3 or 4] onto the bolt and secure with a nut. (The other end of the front panel brace will be bolted to the vinyl support part and the machine in STEP 8)

STEP 3; SEE FIGURE 2:

INSTALL: (Right & left sides)

RH & LH FOOT [5 & 6]

- A. Insert a 5/16" x 1 3/4" screw into the threaded hole of the 'C' clamp end of the RH & LH FOOT [5 & 6].
- B. Place the 'C' clamp over the outside edge of the step plate. Position the part about 2 1/2" from the bend of the footplate. (See insert of figure 2) Tighten screw enough to hold part in position.

STEP 4; SEE FIGURE 3:

INSTALL: (Right & left sides)

FRONT PANEL FRAME CROSS BAR [11]
RH FRONT POST [10] (Bent)
LH FRONT POST [9] (Straight)
RH & LH TOP FRAME BRACES [14 & 15]

- A. Insert a bolt through the flattened end of the FRONT PANEL FRAME CROSS BAR [11], the tab of the FRONT POST [9 or 10], the flattened end of the TOP FRAME BRACE [12 or 13] and into the flattened end of the front panel frame leg. Secure parts with a nut.
- B. Insert a bolt out trough the flattened end of the foot. Slip the lowest hole in the flattened end of the front post onto the bolt and secure with a nut.

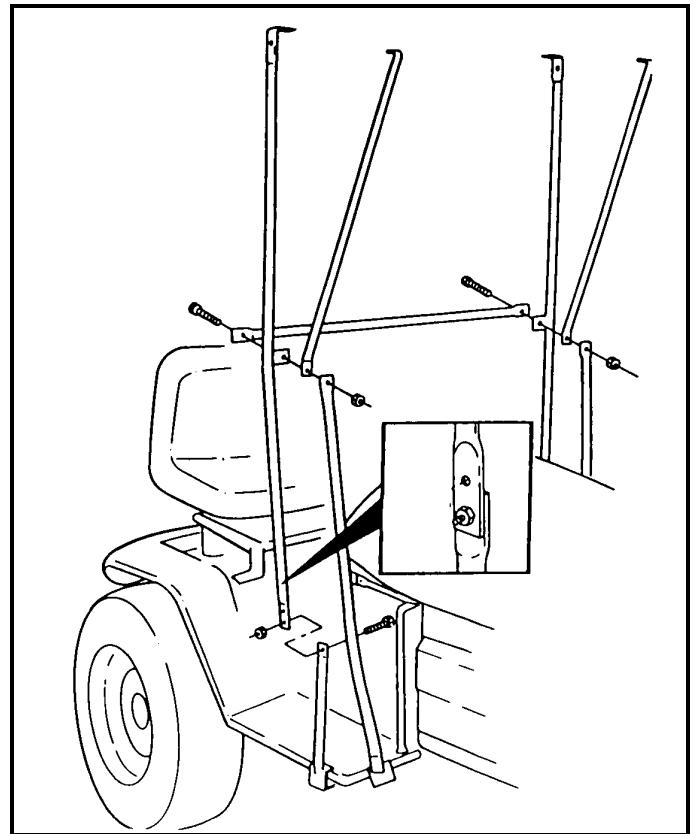


FIGURE 3

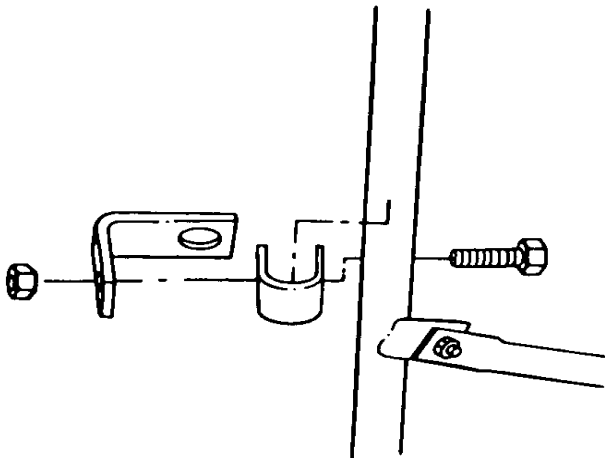
**OPTIONAL STEPS
FOR SNOWBLOWER ATTACHMENTS**

INSTALL:

CHUTE CONTROL BRACKET [28]

$\frac{3}{4}$ " 'U' CLAMP [29]

1. About 3" (2 Stage 7") above the tab on the right (2 Stage left) front panel frame leg, place the $\frac{3}{4}$ " 'U' CLAMP (Open end toward the rear) around the leg.
2. Insert a $\frac{5}{16}$ " x $1 \frac{1}{2}$ " from the inside of the 'U' clamp to the outside. Place the CHUTE CONTROL BRACKET [28] on the bolt and secure with a $\frac{5}{16}$ " lock nut.
3. Adjust this bracket upon completion of the cab installation and re-installment of the chute control rod.



CHUTE CONTROL BRACKET (Left side)

STEP 5; SEE FIGURE 4:

INSTALL: (Right & left sides)

RH & LH REAR BRACKET [14 & 15]

- A. Tilt the operator's seat forward.
- B. Remove the two bolts and nuts that hold the seat bracket and fender pan to the frame, also remove the two bolts and nuts that hold the fender pan to the frame.

- C. Using four (4), $\frac{5}{16}$ " x 1" bolts and nuts from step 5A, bolt the RH & LH REAR BRACKET [14 & 15] into place on the fender pan and the seat bracket.

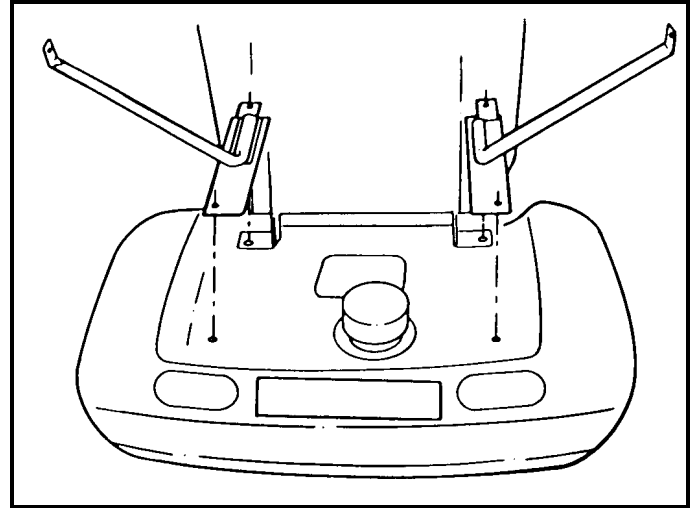


FIGURE 4

STEP 6; SEE FIGURE 5:

INSTALL: (Right & left sides)

RH & LH BOXING POST [18 & 19]

RH & LH REAR POST [16 & 17]

- A. Insert a bolt through the straight flattened end of the BOXING POST [18 & 19]. Place the bolt with the boxing post into the hole in the arm of the rear bracket.
- B. Place a REAR POST [16 & 17] onto the bolt and secure parts with a nut.

NOTE: The latch plate on the rear post should be on the front side of the post and the 'V' of the plate must be open to the outside of the cab.

STEP 7; SEE FIGURE 6:

INSTALL:

TOP FRAME [20]

- A. Locate the small tabs in the corners of the TOP FRAME [20]. These tabs indicate the rear of the frame and are the attachment points for the boxing posts.
- B. Bolt the TOP FRAME [20] onto the bent ends of the posts and braces.
- C. Place a plastic protector over the bent end of each rear post.

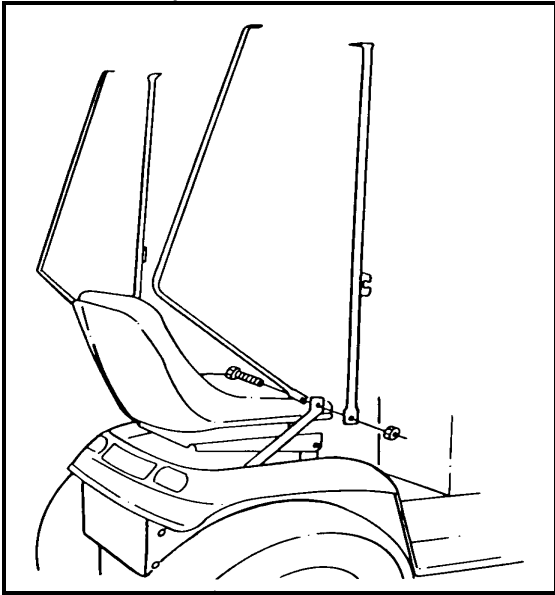


FIGURE 5

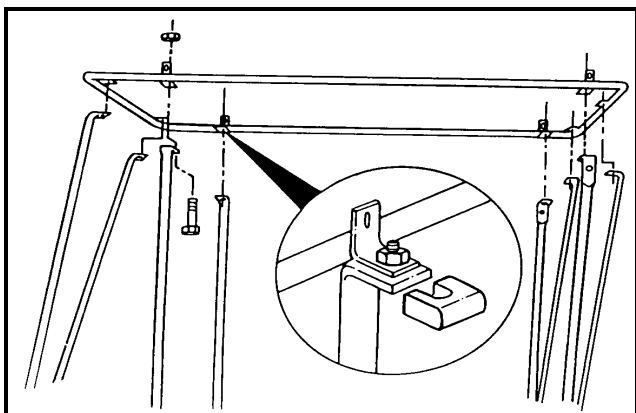


FIGURE 6

WARNING

The following steps must be completed

FORM 10440/70 1089REV

properly to ensure that the engine pulls air from the outside of the cab. If front panel vinyl is improperly installed a dangerous build up of carbon monoxide could occur in the cab.

STEP 8; SEE FIGURE 7 & 8:

INSTALL:

FRONT PANEL VINYL [22]

WINDSHIELD [21]

- A. Remove the bolt & nut at reference (D) from left side of the machine only.
- B. With the engine hood down. Drape the FRONT PANEL VINYL [22] over the engine hood. Arrange the panel down around the sides of the machine.
- C. Bring the top edge of the panel slightly over the front panel frame cross bar and tie ties to cross bar to hold panel in place.
- D. Place the top edge (Sewn in rod) of the WINDSHIELD [21] slightly over the front top edge of the top frame. Secure the top edge snap flaps around the top frame.
- E. Press the VELCRO strip of the windshield onto the VELCRO strip of the front panel. Secure the side snap flaps around the front posts.
- F. Fasten the snap flaps around the front post and foot.
- G. Bring the long lower flap around the vinyl support and back between the machine and the ends of the vinyl support and front panel brace. Make sure the bent rod attached to the vinyl support holds the vinyl in the corner of the dash and engine hood. When working on the right side of the machine, the flap should pass between the pedal shafts and the engine compartment.

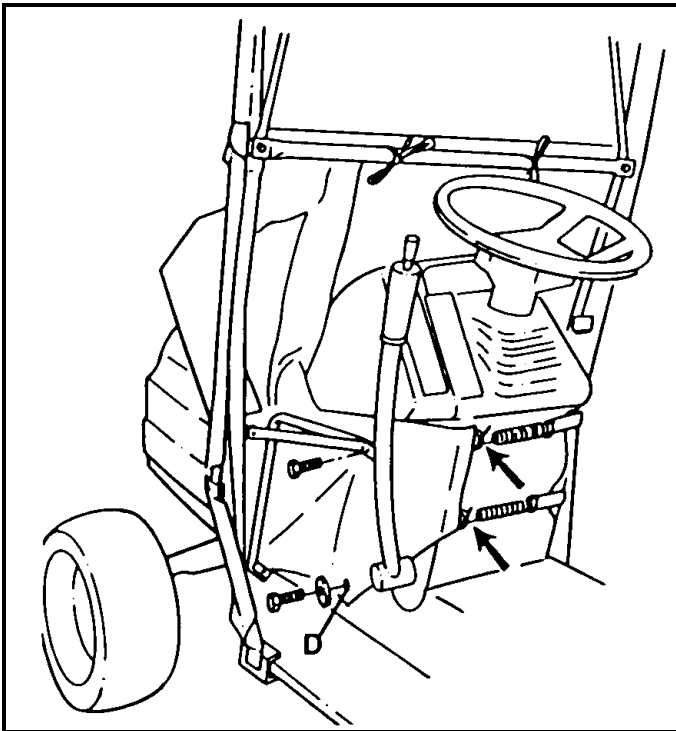


FIGURE 7

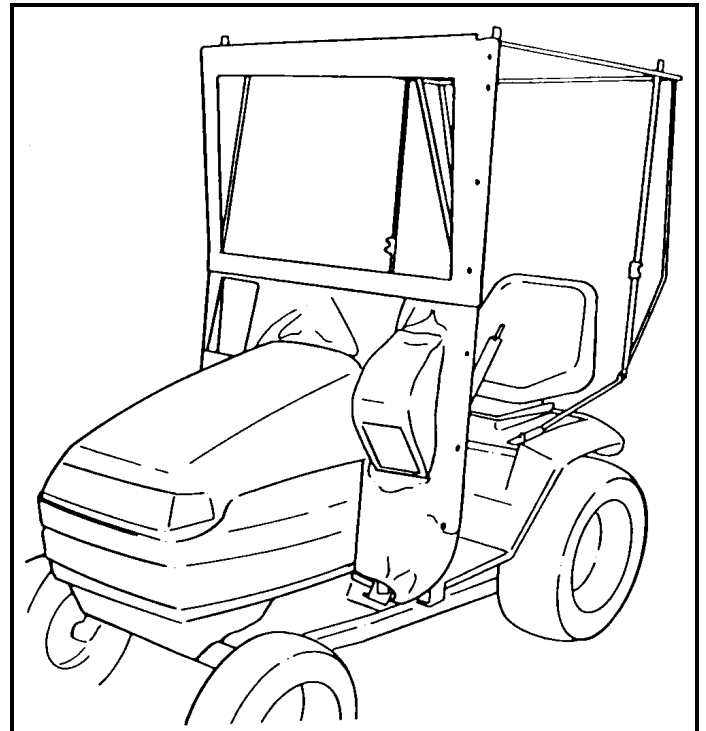


FIGURE 8

STEP 8 (cont.'.)

- H. Working on the left side of the machine. Place a 5/16" fender washer on the bolt that was removed in step 8A. Insert the bolt through the hole in the vinyl at reference (D) and into the hole from which it came. Add the nut and tighten.
- I. Insert a bolt through the flattened bent end of the front panel brace, the flattened end of the vinyl support and into the hole in the machine where a bolt was removed in step 1A.
- J. Attach the springs of the right side flap to the 'D' rings of the left side flap.
- K. Arrange the flaps so they cover the dash vents but not the safety decal.
- L. Arrange the vinyl around the footplate and fasten the springs (Vinyl should be slightly tensioned) to the holes in the underside of the footplate.

STEP 9; SEE FIGURE 9:

INSTALL:
REAR CURTAIN [23]

- A. Place the sewn in rod of the REAR CURTAIN [23] slightly over the rear topside of the top frame. Secure the top snap flaps around the top frame and the side snap flaps around the rear posts.

STEP 10:

INSTALL:
DOOR HARDWARE PACKAGE #9820
RH & LH DOOR [24 & 26]
RH & LH DOOR BOTTOM [25 & 27]

See the parts list and installation instructions in the DOOR HARDWARE PACKAGE #9820

STEP 11; SEE FIGURE 10:

INSTALL:

PLASTIC TOP [30]

- A. Place the PLASTIC TOP [30] onto the top frame. The top's widest edge is to the front of the machine.

NOTE:

The sewn in rods of the windshield and the rear curtain should be trapped between the top frame and the plastic top.

- B. Bolt plastic top into place as shown in inset of figure 10. It is important that a $\frac{1}{4}$ " flat washer be used between the bolt head and the plastic top.

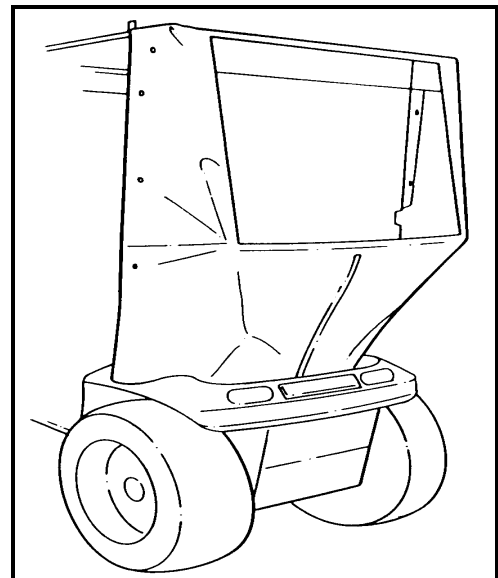


FIGURE 9

OPTIONAL STEPS FOR SNOWBLOWER ATTACHMENTS

Single Stage:

Insert the chute control crank through the chute control bracket (installed previously), out through the front panel vinyl and reconnect it to the snowblower. Adjust the bracket to allow for proper operation of the chute control crank.

2 Stage:

1. Remove the knob holding the belt guard in place on the snowblower.
2. Slide the hole in the tubular end of the chute control support over the rod attached to the chute control screw.
3. Secure the angle bracket end on top of the belt guard with the knob previously removed.
4. Insert the chute control crank through the chute control bracket (installed previously), out through the front panel vinyl.
5. Place one end of the extension 'U' joint onto the chute control crank and secure with a hitch pin clip. Place the other end of the extension 'U' joint onto the rod of the chute control screw and secure with a hitch pin clip.

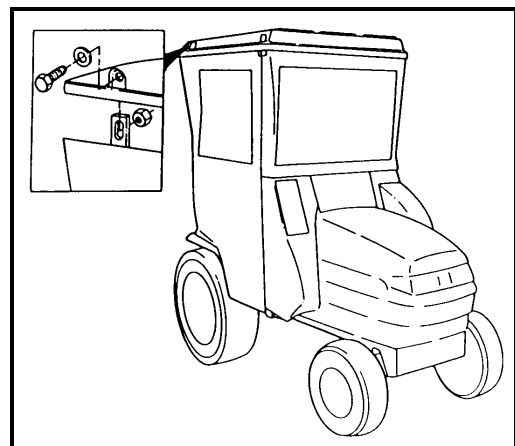
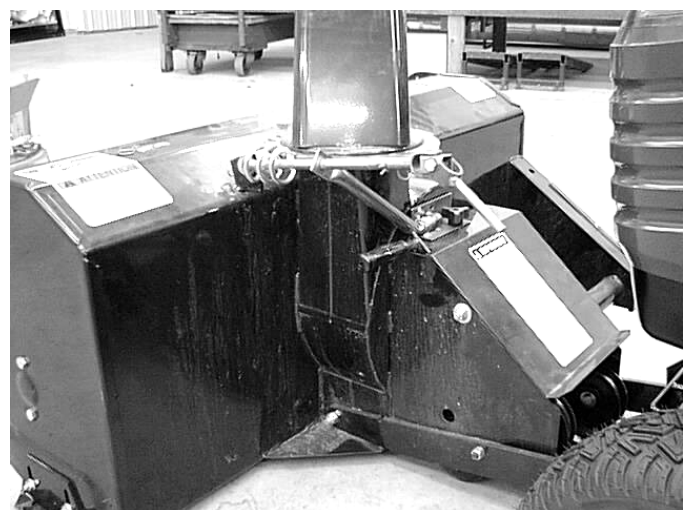


FIGURE 10



EXTENSION 'U' JOINT

For Replacement Parts and Accessories Contact:

Original Tractor Cab Co., Inc.

P.O. Box 97 6849 W. Front St.

Arlington, IN 46104

Phone 765-663-2214

Fax 765-663-2101

Email Sales@originalcab.com

Visit us on the web to see our other products.

www.originalcab.com

Cabs for Lawn Tractors, Garden Tractors, Compact Tractors, Snow Blowers, Utility Vehicles

Sunshades for Tractors, Mowers, & Utility Vehicles

Storage Covers for Lawn and Garden equipment.

LIMITED WARRANTY

COVERED BY WARRANTY

ORIGINAL TRACTOR CAB CO., INC., (the "Company") warrants to the owner that each new product listed below is merchantable and free of defects in workmanship and material.

During the warranty period, the dealer from whom the product was bought, or the Company, will provide, free of charge, parts and the shipping costs of parts necessary to correct any defect in workmanship and material.

WARRANTY PERIOD

The company products listed below are warranted for the stated period from the date of the original purchase:

- | | |
|--|--------|
| 1. Cabs for tractors and snow removal equipment | 1 year |
| 2. Company manufactured accessories for above cabs | 1 year |
| 3. Sunshades for lawn and garden tractors | 1 year |
| 4. Repair parts | 1 year |

OWNER'S RESPONSIBILITIES

The owner of a new Company manufactured product must do the following to qualify for warranty service:

1. Retain the original invoice or other proof of purchase to avoid unnecessary difficulties in determining eligibility for warranty work.
2. Notify the dealer from whom the product was bought, or the company, as soon as possible after discovery of a possible defect, and provide proof of original purchase.

To notify the company write to: Original Tractor Cab Co., Inc., P.O. Box 97, Arlington, IN 46104.

3. the owner may, upon notification by the Company, be required to return the defective part, or parts, to the Company for inspection and warranty service.

NOT COVERED BY WARRANTY

The following are not covered by this warranty:

1. Transportation charges to and from servicing dealer or the Company;
2. New products that have been subject to misuse, negligence or accident, or have been altered or repaired in a manner not authorized by the company;
3. Windshield wipers, lights, or accessories that are warranted separately by their respective manufacturers, except Company agrees to make available to the owner whatever warranty benefits may be made available to the Company by the manufacturers.

All implied warranties, except to the extent prohibited by any applicable law, shall have no greater duration than the warranty period for the applicable product, some states do not allow limitation on how long an implied warranty lasts, so the above limitation may not apply to you.

The Company's liability arising out of warranties representation, instructions, or defects from any abuse, shall be limited exclusively to repair or replacing parts under the condition in the warranty, and in no event will Company be liable for incidental or consequential damages. Some states do not allow the exclusion or limitation of incidental or consequential damages, so the above limitation or exclusion may not apply to you.

This warranty gives you specific legal rights, and you may also have rights that vary from state to state.