



CUB CADET HARDTOP CAB

FOR
3000 SERIES GT

OWNER'S MANUAL

INSTALLATION

MAINTENANCE

PARTS

IMPORTANT

READ THIS MANUAL COMPLETELY AND KEEP FOR FUTURE REFERENCE



WARNING



1. This cab is designed to provide foul weather protection only. It does not provide protection from noise, engine exhaust fumes, chemicals or injury caused by collision, rollover or other accidents.
2. Do not operate the tractor in confined areas without proper ventilation.
3. Thoroughly check the area of operation before using the tractor.
4. The cab will restrict your field of vision during use when compared to operation without it.
5. The cab adds height to the tractor. Low tree limbs and other overhead structures that did not interfere with tractor operation before installing cab, may now become obstacles.

ALWAYS REMOVE VINYL PANELS BEFORE TRANSPORTING MACHINE ON AN OPEN TRAILER OR IN AN OPEN TRUCK WHOSE SPEED WILL EXCEED 25 M.P.H.

USE OF THIS CAB FOR SUMMER LAWN MOWING IS NOT RECOMMENDED.

MAINTENANCE INSTRUCTIONS

- A. Check to see that all bolts are tight. Periodically recheck all bolts. If one or more bolts come loose, failure of cab parts may occur.
- B. Door latches and hinges should be lubricated with light machine oil for proper operation.

**DO NOT CLEAN THE CLEAR PLASTIC WINDOWS WHEN THE PLASTIC IS DRY
THE CLEAR PLASTIC WILL SCRATCH.**

- C. Avoid contact with plastic windows. Keep plastic windows clean by washing them with clear running water and by rubbing with your bare hands, only. The use of rag, sponge, or brush will scratch the plastic. Liquid soap may also be used to clean windows. During freezing weather, an automotive windshield washer solvent may be used.
 - D. Use liquid soap and water to clean colored vinyl portions. Scrubbing with a brush or rag is also permitted on the colored vinyl portions.
-

STORAGE INSTRUCTIONS

Clean the windows and vinyl panels with a mild automotive detergent and water, prior to storage. Allow to thoroughly dry. Store the cab in a clean, dry place, out of direct sunlight. Avoid folding the plastic windows.

REPLACEMENT PARTS ORDERING

Retain these sheets. Order replacement parts by showing cab model number, part number, part name and quantity requested. Standard nuts, bolts and washers may be obtained locally. If these items cannot be obtained locally, order by part number and size as shown on parts list.

#10974 CARTON CONTENTS

PART #	KEY #	QTY	DESCRIPTION
10990	1	1	BRACE, RH FRONT
10991	2	1	BRACE, LH FRONT
10988	3	1	FOOT, RH
10989	4	1	FOOT, LH
10002	5	1	BRACE, RH TOP FRAME
10003	6	1	BRACE, LH TOP FRAME
10004	7	2	POST, FRONT
10010	8	1	CROSS BAR, FRONT
10984	9	2	BRACKET, REAR
10985	10	1	CROSSBAR,REAR
10986	11	1	POST, RH BOXING
10987	12	1	POST, LH BOXING
10750	13	1	POST, RH REAR
10751	14	1	POST, LH REAR
10001	15	1	TOP FRAME
10996-B	16	1	DOOR, RH
10992	17	1	DOOR BOTTOM, RH
10997-B	18	1	DOOR, LH
10993	19	1	DOOR BOTTOM, LH
10995-B	20	1	FRONT PANEL VINYL
10749-B	21	1	WINDSHIELD
10994-B	22	1	REAR CURTAIN
10000	23	1	PLASTIC TOP
10998		1	HARDWARE PACKAGE (Contents listed on next page)
9820		1	DOOR HARDWARE PACKAGE (Parts list & instructions in package)

#10998 HARDWARE PACKAGE CONTENTS

PART #	QTY	DESCRIPTION
786	16	CAPSCREW, 1/4" x 5/8"
788	2	CAPSCREW, 1/4" x 3/4"
926	2	CAPSCREW, 1/4" x 1"
730	20	LOCKNUT, 1/4"
1514	4	WASHER, 1/4" FLAT
784	8	BOLT, 5/16" x 3/4"
4557	7	WASHER, 5/16" x 1 1/2" FENDER
729	8	NUT, 5/16" LOCK
5583	1	BOLT, 3/8" x 2 1/4"
2908	1	WASHER, 3/8" FLAT
5577	1	SPACER, 9/16" x 7/8" ROUND
4902	2	PLASTIC PROTECTOR, SLOTTED

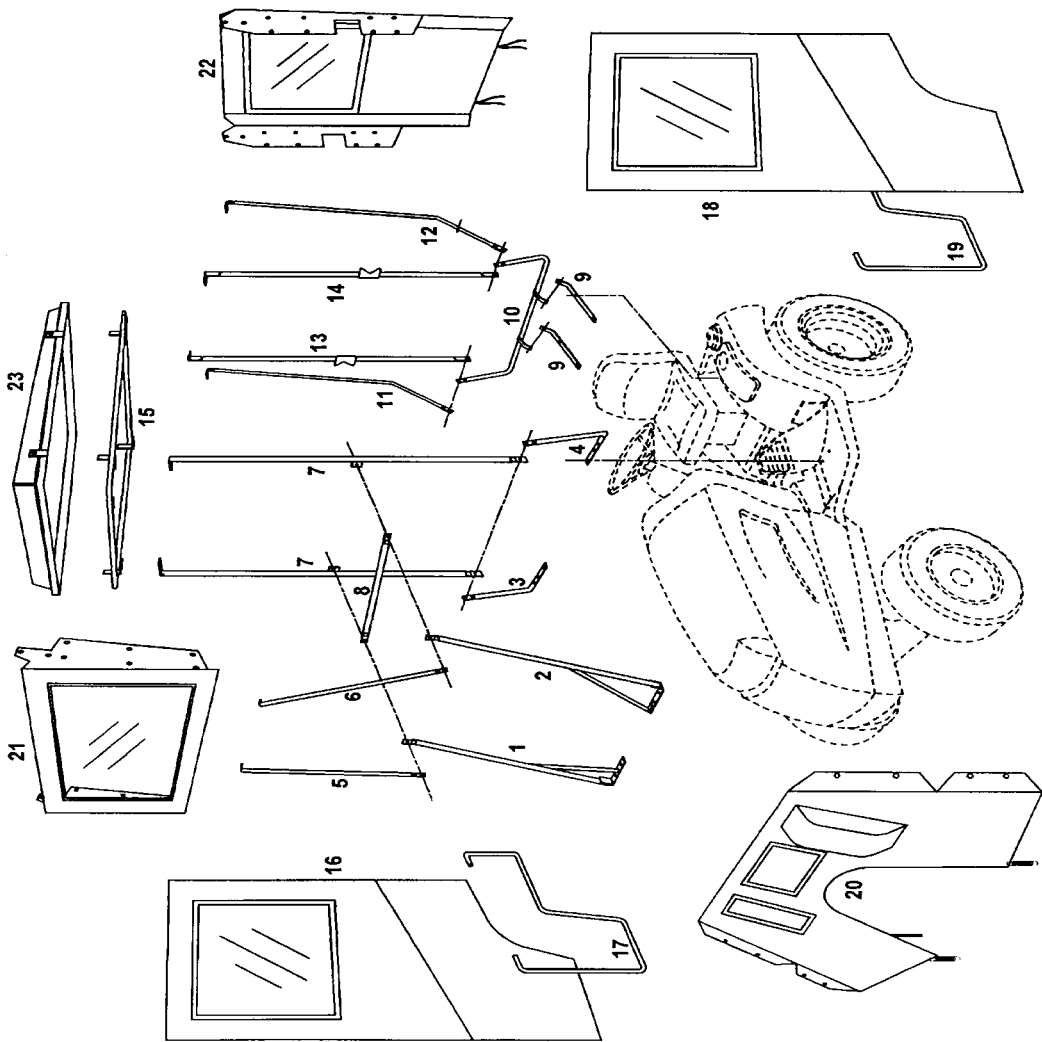


FIGURE 1

INSTALLATION INSTRUCTIONS

Read these instructions completely before starting installation.

The right side of the machine is determined from the operator's seated position.

The word 'BOLT' will refer to a 1/4" x 5/8" capscrew unless otherwise specified.

The word 'NUT' will refer to a 1/4" lock nut unless otherwise specified.

Number or letters in brackets [#] after a part description refers to the KEY # on the parts list.

Do not tighten nuts & bolts until told to do so in the text.

IMPORTANT INSTRUCTIONS **FOR SNOW BLOWER EQUIPPED MACHINES**

It is necessary to move the control support arm inwards in order to allow clearance for the installation of the cab. Perform the following steps prior to starting installation of cab.

A. Where the control support arm attaches to the snow blower head there are two bolts. Loosen the forward bolt and remove the rear bolt and discard. Keep the nut because it will be reused.

B. Insert a 3/8" x 2 1/4" bolt through the control arm support, where you removed the bolt in the previous step. Place a 9/16" x 7/8" round spacer onto the bolt, followed by a 3/8" flat washer. Place the bolt with the parts through the original mounting hole; add the nut previously removed. Securely tighten both mounting bolts

STEP 1; SEE FIGURE 2:

INSTALL: (Both right & left sides)

RH & LH FRONT BRACES [1 & 2]

RH & LH FEET [3 & 4]

A. Pull back the rubber mat on the step plate enough to expose the holes.

B. Insert two (2) 5/16" x 3/4" bolts through the holes in the flat bar of the RH or LH FRONT BRACE [1 or 2]. Place the bolts, with the part through the first set of holes in the up turned portion of the footplate. (Part should be slightly inclined toward the rear) Place a 5/16" x 1 1/2" fender washer onto each bolt and secure with 5/16" lock nuts. **The right inside bolt does not use the washer.**

C. Insert two (2) 5/16" x 3/4" bolts through the holes in the flat bar of the RH or LH FOOT [3 or 4]. Place the bolts, with the part through the first set of holes just to rear of the bend of the footplate. (Part should be slightly forward inclined) Place a 5/16" x 1 1/2" fender washer onto each bolt and secure each with a 5/16" lock nut.

D. Reposition the rubber mat.

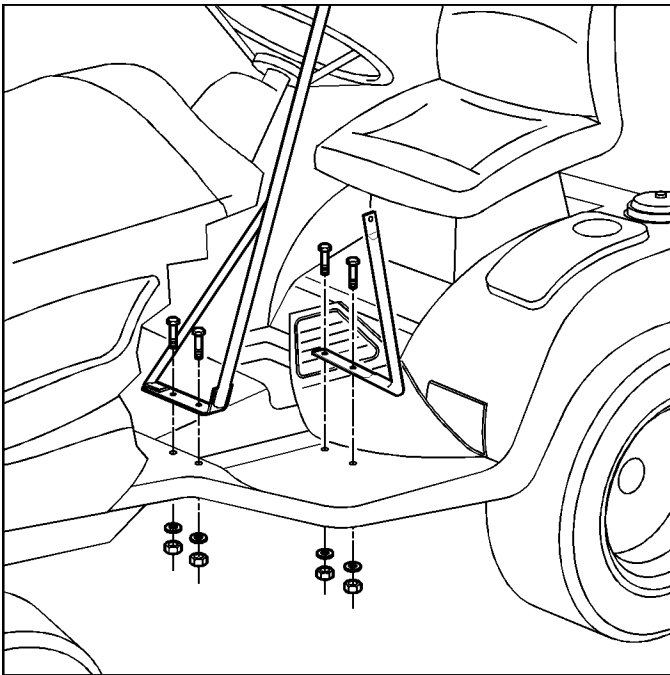


FIGURE 2

STEP 2; SEE FIGURE 3:

INSTALL: (Both right & left sides)
 RH & LH TOP FRAME BRACES [5 & 6]
 FRONT POSTS [7]
 FRONT CROSSBAR [9]

- A. Insert a ¼" x 1" capscrew through the tab of the FRONT POST [7], the flattened end of the FRONT CROSSBAR [8], through the hole in the flattened end of the front brace and the straight flattened end of the TOP FRAME BRACE [5 or 6]. Add a nut and tighten enough to hold pieces in an upright position.
- B. Insert a bolt out through the hole in the flattened end of the foot. Using the lower hole of the front post secure the foot and post together with a nut on the bolt.
- C. Do the above procedure on both sides of the machine.

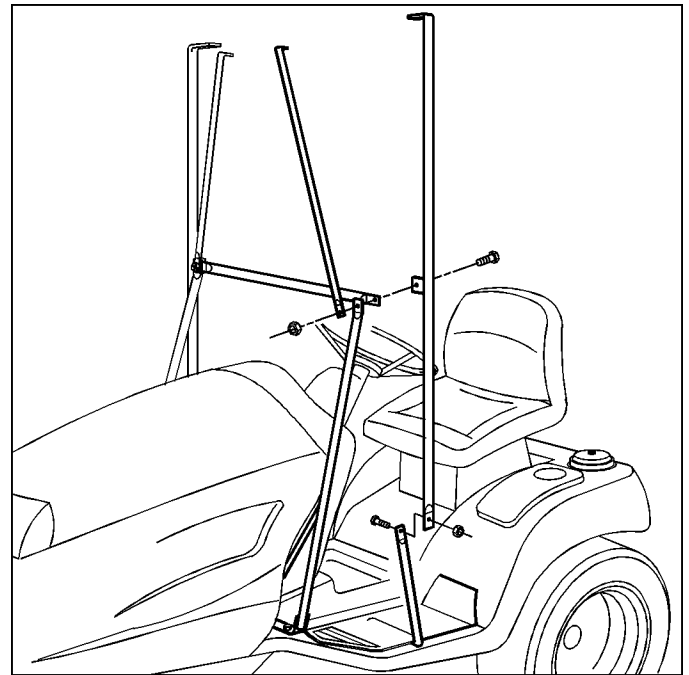


FIGURE 3

STEP 3; SEE FIGURE 4:

ASSEMBLE:
 (2) REAR BRACKET [9]
 REAR CROSSBAR [10]

- A. Bolt the two (2) REAR BRACKET [9] to the tabs of the REAR CROSSBAR [10].

STEP 4; SEE FIGURES 5 A & B:

REMOVE:
 OPERATOR'S SEAT

- A. Slide the OPERATOR'S SEAT as far back as possible. This should allow access to the bolts that attach the seat slides to the fender pan.
- B. Remove the bolts from the slides.
- C. Slide the operator's seat as far forward as possible. This should allow access to the bolts that attach the back end of the seat slides to the fender pan.
- D. Remove the rear bolts from the slides.

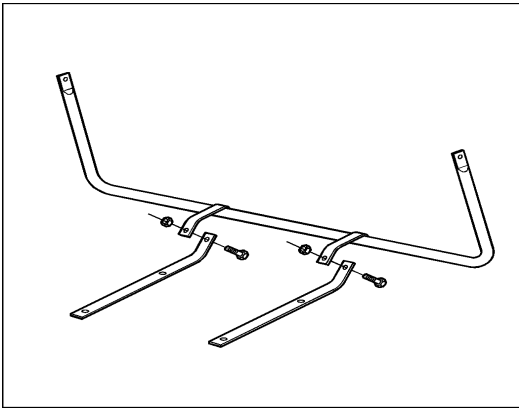


FIGURE 4

STEP 4; SEE FIGURES 6:

INSTALL:

ASSEMBLY, REAR CROSSBAR [10] & REAR BRACKETS [9]

- A. Place the REAR CROSSBAR [10] & REAR BRACKETS [9] assembly onto the fender-seat pan. Align the holes of the rear brackets with the holes in the fender-seat pan where the bolts of the seat slides were attached.
- B. Bolt the seat back into place on top of the rear brackets. (Reverse the steps in STEP 4) Securely tighten the seat slide bolts and the rear bracket to rear crossbar bolts.

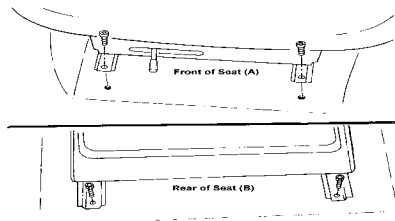


FIGURE 5

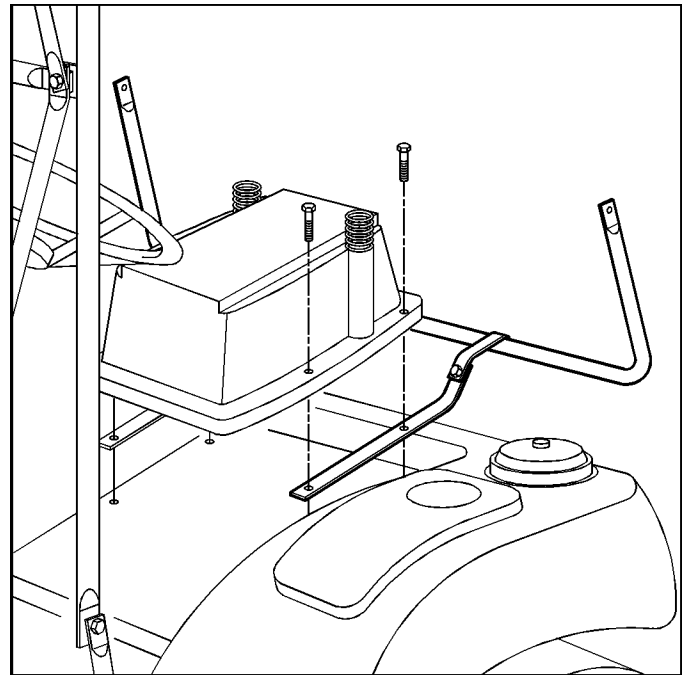


FIGURE 6

STEP 5 SEE FIGURE 7:

INSTALL: (Both right & left sides)

RH & LH BOXING POSTS [11 & 12]

RH & LH REAR POST [13 & 14]

- A. Insert a 1/4" x 3/4" capscrew through the flattened end of the BOXING POST [11 or 12], then the up turned flattened end of the rear crossbar and the straight flattened end of the REAR POST [13 or 14]. Secure parts together with a nut.

NOTE: The 'V' shaped latch plate on the rear post should be on the front side of the post and the 'V' should be open to the outside of the cab.

- B. Position posts in a vertical position. Tighten bolt enough to hold parts in position.

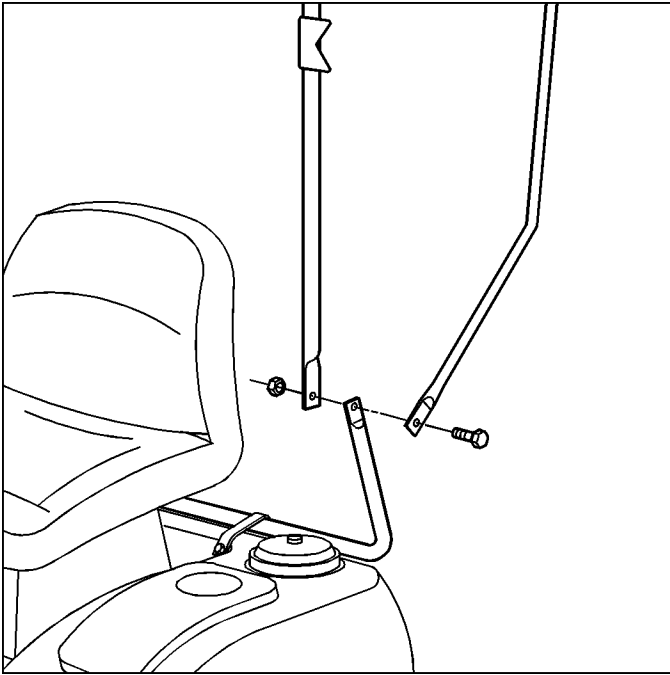


FIGURE 7

STEP 6; SEE FIGURE 8:

INSTALL:
TOP FRAME [15]

- A. Locate the small tab in the corner of the TOP FRAME [15]. This tab indicates the rear of the frame and is the attachment point for the boxing posts
- B. Place the top frame on the bent flattened ends of the posts and braces.
- C. Align the posts and braces with the top frame angled tabs and securely bolt together.
- D. Place a slotted plastic protector on the ends of the rear posts and top frame tabs. Tighten all bolts.

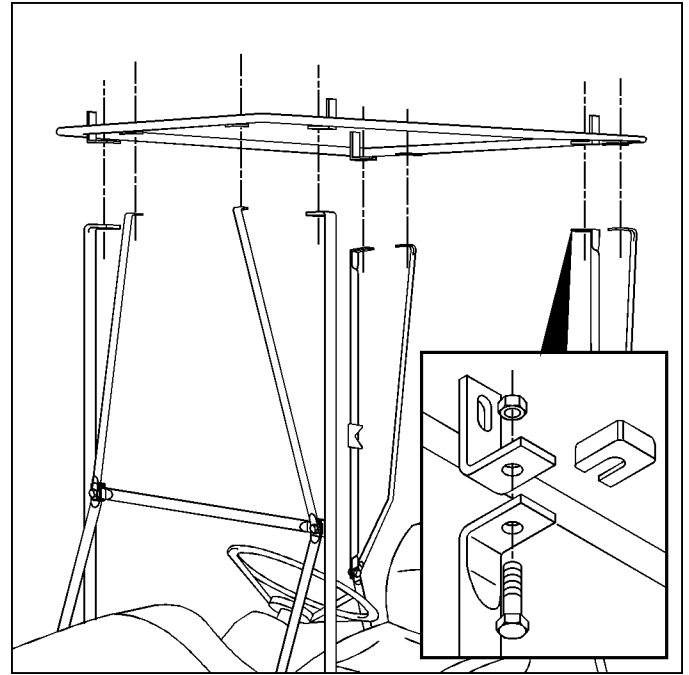


FIGURE 8

STEP 7; SEE FIGURE 1:

INSTALL:
FRONT PANEL VINYL [20]
WINDSHIELD [21]

- A. Place the FRONT PANEL VINYL [20] over the front of the machine. Pull the top edge of the panel up and slightly over the crossbar of the front panel frame.
- B. Arrange the panel around the step plates, framework and the machine. Fasten the snap flaps around the front posts. Fasten the springs to the underside of the foot plates.
- B. Place the WINDSHIELD'S [21] top edge (sewn in rod) up and slightly over the front edge of the top frame. Fasten the top edge snap flaps around the top frame.
- C. Align the VELCRO strip on the back of the lower edge of the windshield with the VELCRO strip of the front panel vinyl. Press the two strips together. Fasten the ties of the windshield to the crossbar.

STEP 8; SEE FIGURE 1:

INSTALL:

REAR CURTAIN [22]

- A. Place the REAR CURTAIN [22] top edge up and slightly over the rear edge of the top frame. Fasten the top edge snap flaps around the top frame and the side edge snap flaps around the rear posts.
- B. Arrange the rear curtain around the frame and fasten the ties to the rear crossbar.

STEP 9:

INSTALL:

DOOR HARDWARE PACKAGE #9820

RH & LH DOORS [16 & 18]

RH & LH DOOR BOTTOMS [17 & 19]

Follow the instructions in the DOOR HARDWARE PACKAGE #9820.

STEP 10; SEE FIGURE 9:

INSTALL:

PLASTIC TOP [23]

- A. Place the PLASTIC TOP [23] onto the top frame with the thickest edge to the front.
- B. Bolt the top into place using a 1/4" flat washer between the 1/4" x 5/8" bolt head and the plastic top and secure with a 1/4" lock nut.

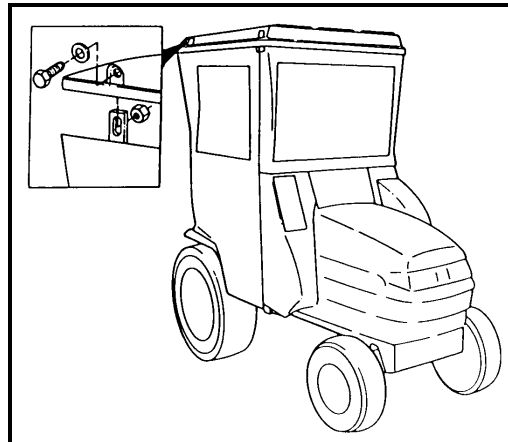


FIGURE 9

For Replacement Parts and Accessories Contact:

Original Tractor Cab Co., Inc.

P.O. Box 97 6849 W. Front St.

Arlington, IN 46104

Phone 765-663-2214

Fax 765-663-2101

Email Sales@originalcab.com

Visit us on the web to see our other products.

www.originalcab.com

Cabs for Lawn Tractors, Garden Tractors, Compact Tractors, Snow Blowers, Utility Vehicles

Sunshades for Tractors, Mowers, & Utility Vehicles

Storage Covers for Lawn and Garden equipment.

ORIGINAL
TRACTOR CABS
FIRST IN WEATHER PROTECTION



LIMITED WARRANTY

COVERED BY WARRANTY

ORIGINAL TRACTOR CAB CO., INC., (the "Company") warrants to the owner that each new product listed below is merchantable and free of defects in workmanship and material.

During the warranty period, the dealer from whom the product was bought, or the Company, will provide, free of charge, parts and the shipping costs of parts necessary to correct any defect in workmanship and material.

WARRANTY PERIOD

The company products listed below are warranted for the stated period from the date of the original purchase:

- | | |
|--|--------|
| 1. Cabs for tractors and snow removal equipment | 1 Year |
| 2. Company manufactured accessories for above cabs | 1 Year |
| 3. Sunshades for lawn and garden tractors | 1 Year |
| 4. Repair parts | 1 Year |

OWNER'S RESPONSIBILITIES

The owner of a new Company manufactured product must do the following to qualify for warranty service:

1. Retain the original invoice or other proof of purchase to avoid unnecessary difficulties in determining eligibility for warranty work.
2. Notify the dealer from whom the product was bought, or the company, as soon as possible after discovery of a possible defect, and provide proof of original purchase.

To notify the company write to: Original Tractor Cab Co., Inc., P.O. Box 97, Arlington, IN 46104.

3. the owner may, upon notification by the Company, be required to return the defective part, or parts, to the Company for inspection and warranty service.

NOT COVERED BY WARRANTY

The following are not covered by this warranty:

1. Transportation charges to and from servicing dealer or the Company;
2. New products that have been subject to misuse, negligence or accident, or have been altered or repaired in a manner not authorized by the company;
3. Windshield wipers, lights, or accessories that are warranted separately by their respective manufacturers, except Company agrees to make available to the owner whatever warranty benefits may be made available to the Company by the manufacturers.

All implied warranties, except to the extent prohibited by any applicable law, shall have no greater duration than the warranty period for the applicable product, some states do not allow limitation on how long an implied warranty lasts, so the above limitation may not apply to you. The Company's liability arising out of warranties representation, instructions, or defects from any abuse, shall be limited exclusively to repair or replacing parts under the condition in the warranty, and in no event will Company be liable for incidental or consequential damages. Some states do not allow the exclusion or limitation of incidental or consequential damages, so the above limitation or exclusion may not apply to you.

This warranty gives you specific legal rights, and you may also have rights that vary from state to state.