



SNOW THROWER CAB

Model #20160

FOR

Ariens 2011 / 2015 2 Stage Snow Blowers

! IMPORTANT !

READ THIS ASSEMBLY MANUAL CAREFULLY AND KEEP FOR FUTURE REFERENCE.

REMOVE THE VINYL COVER FOR TRANSPORT IN AN OPEN TRUCK OR TRAILER.



WARNING



1. This cab is designed to provide foul weather protection only. It does not provide protection from noise, exhaust fumes, chemicals or injury from collision, rollover or other accidents.
2. Do not operate machine in confined areas without proper ventilation.
3. Thoroughly check area of operation before using machine.
4. The cab adds height to the machine. Low tree limbs and other overhead structures that did not interfere with the operation of the machine before, may now be obstacles.

MAINTENANCE INSTRUCTIONS

- A. Periodically check all bolts to see that they are tight. If bolts become loose, failure of cab parts may occur.

**DO NOT CLEAN THE CLEAR PLASTIC WINDOWS WHEN THE PLASTIC IS DRY.
THE CLEAR PLASTIC WILL SCRATCH.**

- B. Avoid contact with plastic windows. Keep plastic windows clean by washing them with clear running water and rubbing with your bare hands, only. The use of a rag, sponge or brush will scratch the plastic. Liquid soap may also be used for window cleaning. During freezing weather, an automotive windshield washer solvent may be used.
- C. Use liquid soap and water to clean colored vinyl portions. Scrubbing with a brush or rag is also permitted on the colored vinyl portions.

STORAGE INSTRUCTIONS

Prior to storage clean the windows and colored vinyl parts with a mild automotive detergent, rinse with clean water and allow to thoroughly dry, Store cab in a clean dry place out of direct sunlight. Avoid folding plastic windows.

! IMPORTANT !

ALWAYS REMOVE VINYL COVER BEFORE TRANSPORTING MACHINE IN AN OPEN TRUCK OR TRAILER.

CARTON CONTENTS CAB MODEL #20160

PART #	KEY #	QTY	DESCRIPTION
20161	1	1	BRACKET, RH
20162	2	1	BRACKET, LH
4977	3	2	FRONT POST
2389	4	1	HORIZONTAL CURVED BOW
4968	5	1	REAR VERTICAL BOW
2230	6	1	TOP FRAME
20155	7	1	VINYL COVER
20163		1	HARDWARE PACKAGE (Contents Listed Below)
786		6	1/4" x 5/8" Bolt
788		2	1/4" x 3/4" Bolt
926		2	1/4" x 1" Bolt
2		2	1/4" Lock Washers
1514		2	1/4" Flat Washer
4556		4	1/4" x 1 1/4" Fender Washer
0730		8	1/4" Lock Nut
60461		2	1/4"-20 x 1 3/4" Coupling Nut
4723		2	5/16" x 1 3/4" Carriage Bolt (for Wide Handlebars Only)
9095		2	5/16" x 4" Bolt (for Narrow Handlebars Only)
60138		2	5/8" O.D. x 2" Spacer (for Narrow Handlebars Only)
7929		4	Plastic Caps

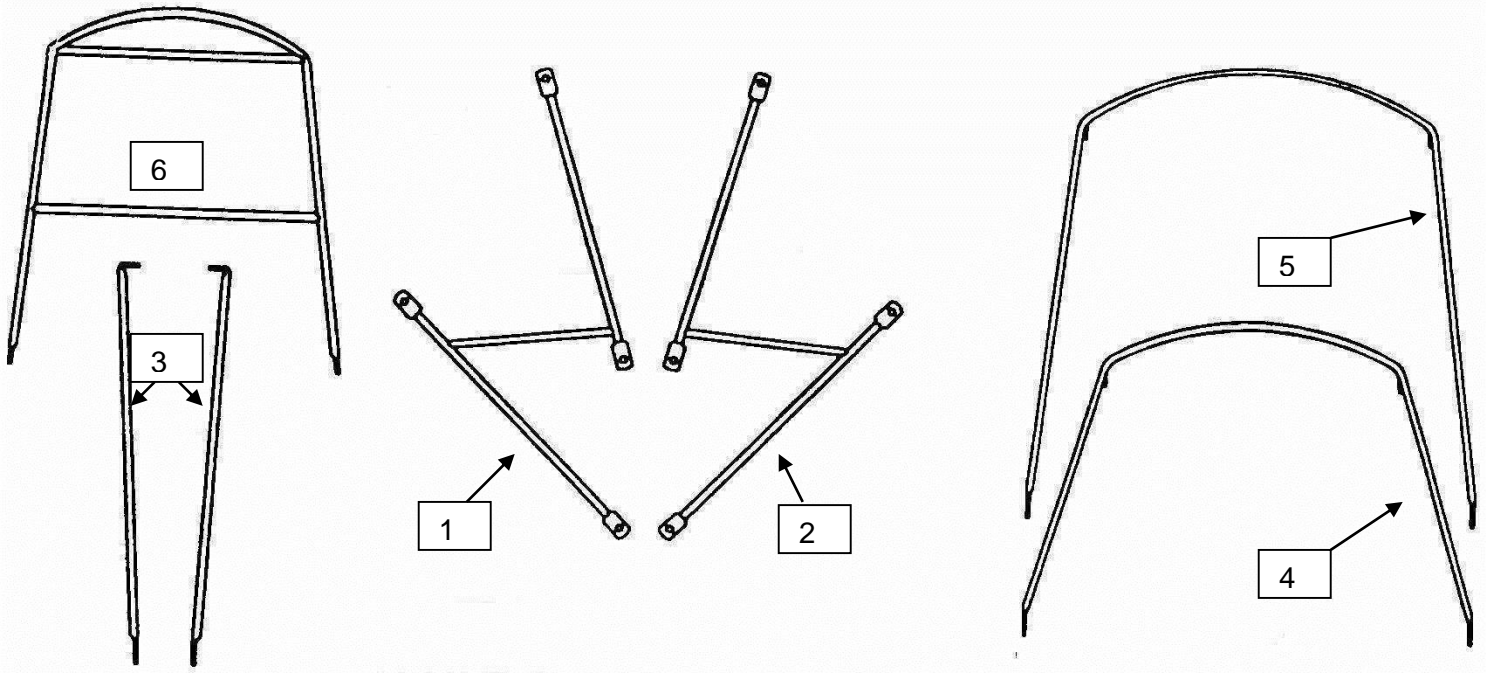


Figure 1

Step 1; See Figure 1:

Identify all of the steel parts using figure 1 as an example.

INSTALLATION INSTRUCTIONS

COMPLETELY READ INSTRUCTIONS BEFORE INSTALLING THE CAB.

The right side of the cab is determined from the operator's position.

Step 2; See Figure 2:

Install coupling nuts.

A. Remove the nuts at reference A under both sides of the handlebars. Place a 1/4" flat washer over the bolts, add 1/4" coupling nuts and tighten.

Step 3; See Figure 3A & 3B:

For wide handlebar models.

Install Brackets (1 & 2).

A. Remove the bolts and locknuts at Reference B. Insert a 5/16" x 1 3/4" carriage bolt outward through the hole in the handlebars and then through the lower hole in the Bracket. Replace the 5/16" locknut. Do not tighten at this time.

B. Insert a 1/4" x 5/8" bolt with 1/4" lock washer through the other hole in the Bracket then thread it into the coupling nut. Do not tighten at this time.

C. Repeat the above steps on the left side.

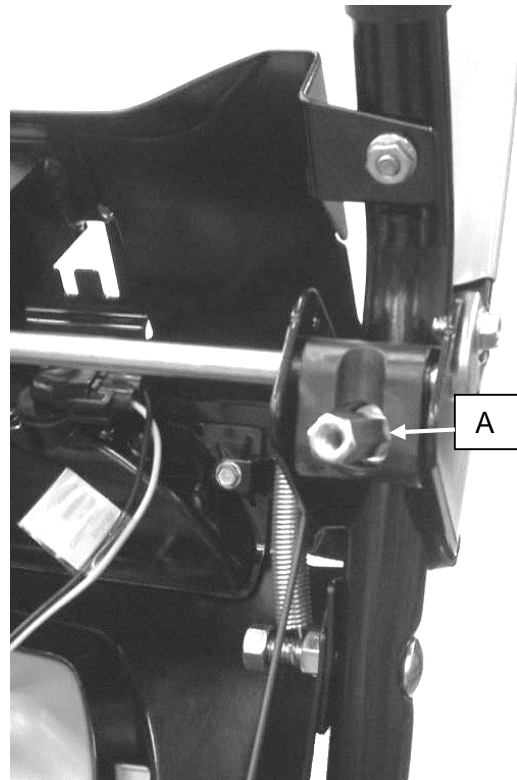


Figure 2



Figure 3B

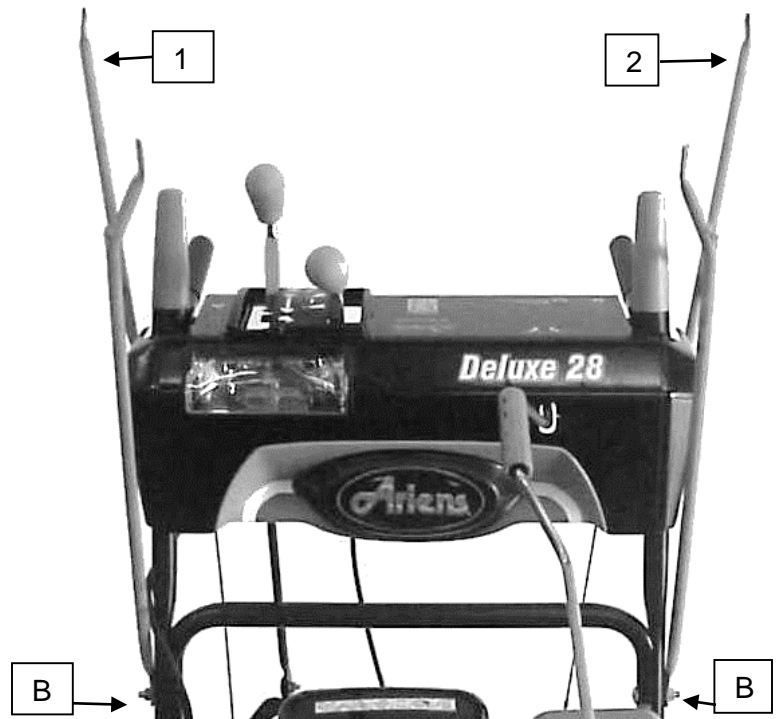


Figure 3A

Wide Handlebars

**Step 3; See Figure 3A & 3B:
For narrow handlebar models.**

Install Brackets (1 & 2).

A. Remove the bolts and locknuts at Reference B. Insert a 5/16" x 4" bolt inward through the lower hole in the Bracket. Add the 2" long spacers and then insert the bolt through the hole in the handlebars. Replace the 5/16" locknut. Do not tighten at this time.

B. Insert a 1/4" x 5/8" bolt with lock washer through the other hole in the Bracket then thread it into the coupling nut. Do not tighten at this time.

C. Repeat the above steps on the left side.

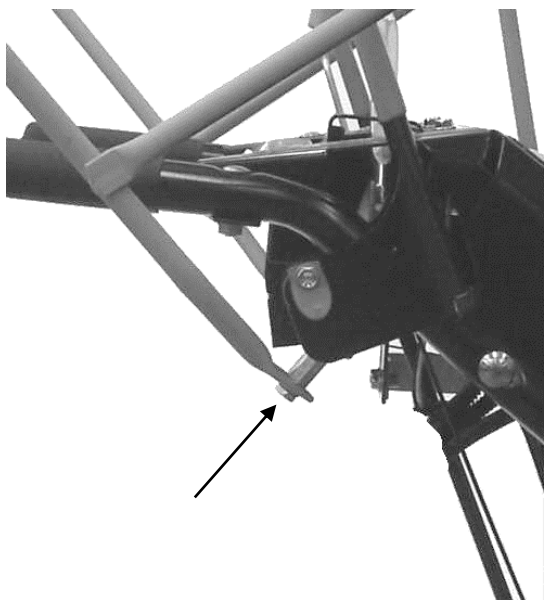
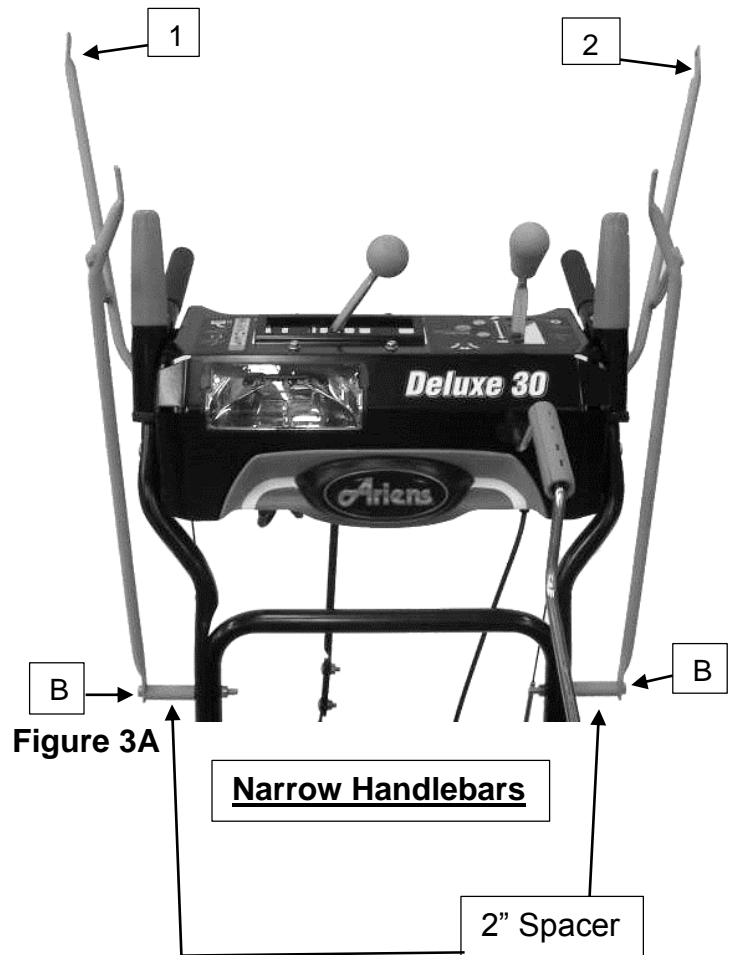


Figure 3B



Step 4; See Figure 4:

- A.** Attach the Horizontal Bow (4) and the Front Posts (3) to the Brackets (1 & 2) using two 1/4" x 3/4" bolts and locknuts (refer to detail A).
- B.** Position the Front Posts on the inside of the assembly, the mounting tabs on the Horizontal Bow in the middle and the Brackets on the outside.
- C.** Be sure the tops on the Front Posts point toward each other.
- D.** Keep the bolt heads on the inside of the frame. Do not tighten the bolts at this time.

Step 5; See Figure 4:

- A.** Mount each leg of the Rear Vertical Bow (5) to the Brackets and the Horizontal Bow using a 1/4 x 1" bolt, two 1/4" fender washers, and a locknut (refer to detail B).
- B.** Be sure that the tabs on the Rear Vertical Bow are towards the front of the cab.
- C.** Position the bolt on the inside of the cab, with a fender washer on each side of the framework.
- D.** Position the Bracket on the inside of the assembly, with the Rear Vertical Bow in the middle, and the Horizontal Bow on the outside. Do not tighten bolts at this time.

Step 6; See Figure 4:

- A.** Attach the Top Frame (6) to the Rear Vertical Bow and the Front Posts using four 1/4" x 5/8" bolts and locknuts.
- B.** Keep the bolt heads on the inside of the frame.
- C.** Position the Rear Vertical Bow on the inside of the Top Frame.
- D. Tighten all the bolts** making sure that the Rear Vertical Bow (5) is at a **90-DEGREE** angle to the Horizontal Bow (4). The Windshield area will lean slightly forward when the frame is properly assembled.

NOTE: This angle is critical so that the vinyl cover fits properly.

- E.** Tighten the Bracket to handlebar bolts from step 3 at this time.
- F.** Place a Plastic Cap over the end of each bolt that attaches the Rear Bow.

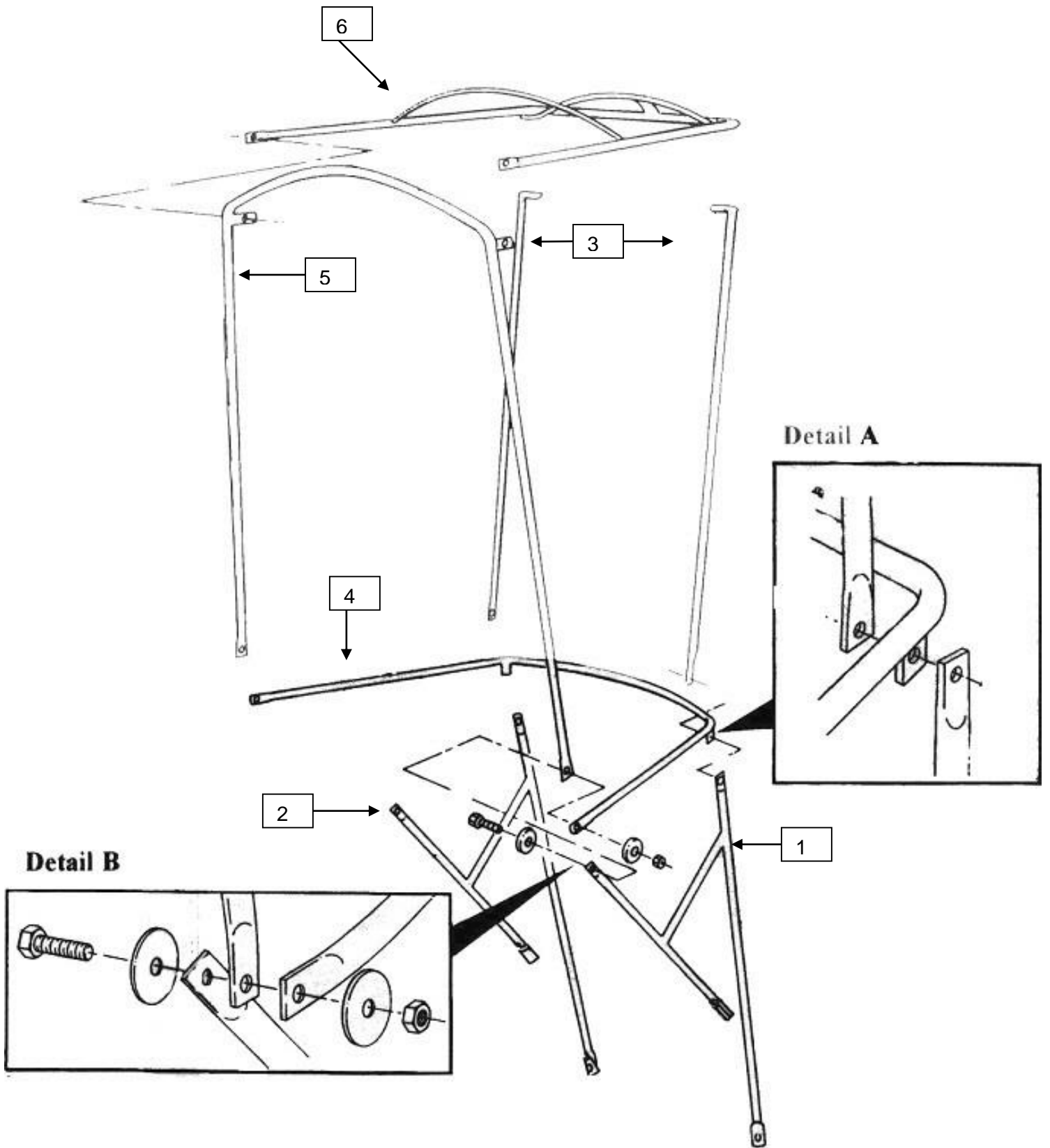


Figure 4

Step 7; See Figure 5A & 5B:
Install Vinyl Cover (7)

A. Make sure that the Rear Bow (5) is straight up and down. If the rear bow is leaning backwards the vinyl cover will not fit correctly.

B. Place the Vinyl Cover over the frame and secure the Velcro® flaps around the vertical bow.

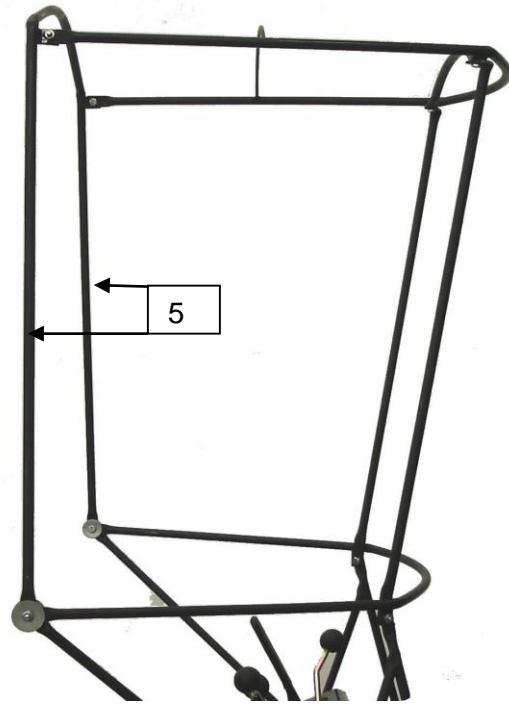


Figure 5A

Optional Accessory:

20127 Sand Box Counter Weight Kit

Counter Weight adds 16.5 lbs. additional down force to snow head for tough icy conditions.

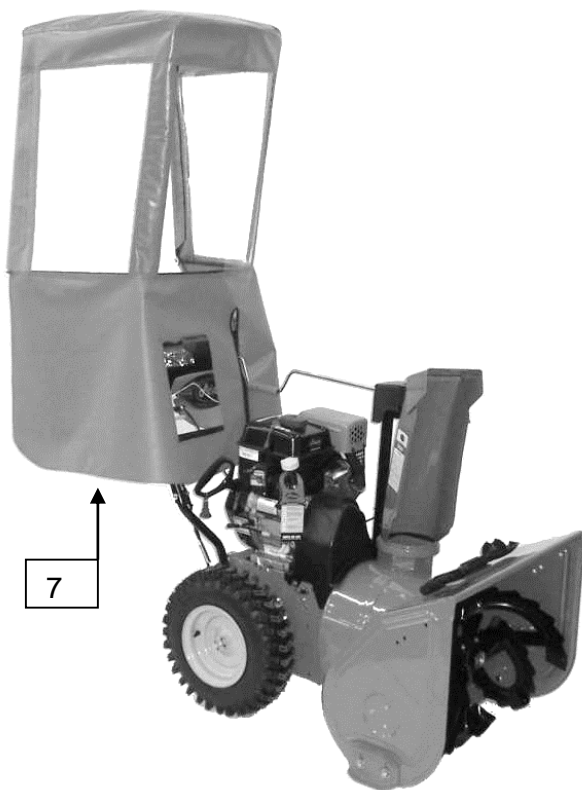


Figure 5B



ORIGINAL
TRACTOR CABS
FIRST IN WEATHER PROTECTION



For Replacement Parts and Accessories Contact:

Original Tractor Cab Co., Inc.
P.O. Box 97 6849 W. Front St.
Arlington, IN 46104
Phone 765-663-2214
Fax 765-663-2101
Email Sales@originalcab.com

Visit us on the web to see our other products.

www.originalcab.com

Cabs for Lawn Tractors, Garden Tractors, Compact Tractors, Snow Blowers, Utility Vehicles

Sunshades for Tractors, Mowers, & Utility Vehicles

Storage Covers for Lawn and Garden equipment

LIMITED WARRANTY SNOW REMOVAL EQUIPMENT CABS

COVERED BY WARRANTY

ORIGINAL TRACTOR CAB CO., INC., (the "Company") warrants to the owner that each new product listed below is merchantable and free of defects in workmanship and material.

During the warranty period, the dealer from whom the product was bought, or the Company, will provide, free of charge, parts and the shipping costs of parts necessary to correct any defect in workmanship and material.

WARRANTY PERIOD

The company products listed below are warranted for the stated period from the date of the original purchase:

- | | |
|--|--------|
| 1. Cabs for tractors and snow removal equipment | 1 Year |
| 2. Company manufactured accessories for above cabs | 1 Year |
| 3. Sunshades for lawn and garden tractors | 1 Year |
| 4. Repair parts | 1 Year |

OWNER'S RESPONSIBILITIES

The owner of a new Company manufactured product must do the following to qualify for warranty service :

1. Retain the original invoice or other proof of purchase to avoid unnecessary difficulties in determining eligibility for warranty work.
2. Notify the dealer from whom the product was bought, or the company, as soon as possible after discovery of a possible defect, and provide proof of original purchase.

To notify the company write to: Original Tractor Cab Co., Inc., P.O. Box 97, Arlington, IN 46104.

3. The owner may , upon notification by the Company, be required to return the defective part, or parts, to the Company for inspection and warranty service.

NOT COVERED BY WARRANTY

The following are not covered by this warranty:

1. Transportation charges to and from servicing dealer or the Company;
2. New products which have been subject to misuse, negligence or accident, or have been altered or repaired in a manner not authorized by the company;
3. Windshield wipers, lights, or accessories that are warranted separately by their respective manufacturers, except Company agrees to make available to the owner whatever warranty benefits may be made available to the Company by the manufacturers.

All implied warranties, except to the extent prohibited by any applicable law, shall have no greater duration than the warranty period for the applicable product, some states do not allow limitation on how long an implied warranty lasts, so the above limitation may not apply to you.

The Companys' liability arising out of warranties representation, instructions, or defects from any abuse, shall be limited exclusively to repair or replacing parts under the condition in the warranty, and in no event will Company be liable for incidental or consequential damages. Some states do not allow the exclusion or limitation of incidental or consequential damages, so the above limitation or exclusion may not apply to you.

This warranty gives you specific legal rights, and you may also have rights, which vary from state to state.