



SUNSHADE #30057
FOR
LEGACY, LEGACY XL
CONQUEST, PRESTIGE, 2005 & UP BROADMOOR

PARTS LIST – ASSEMBLY INSTRUCTIONS

IMPORTANT !

READ THIS MANUAL CAREFULLY AND KEEP FOR FUTURE REFERENCE

WARNING !

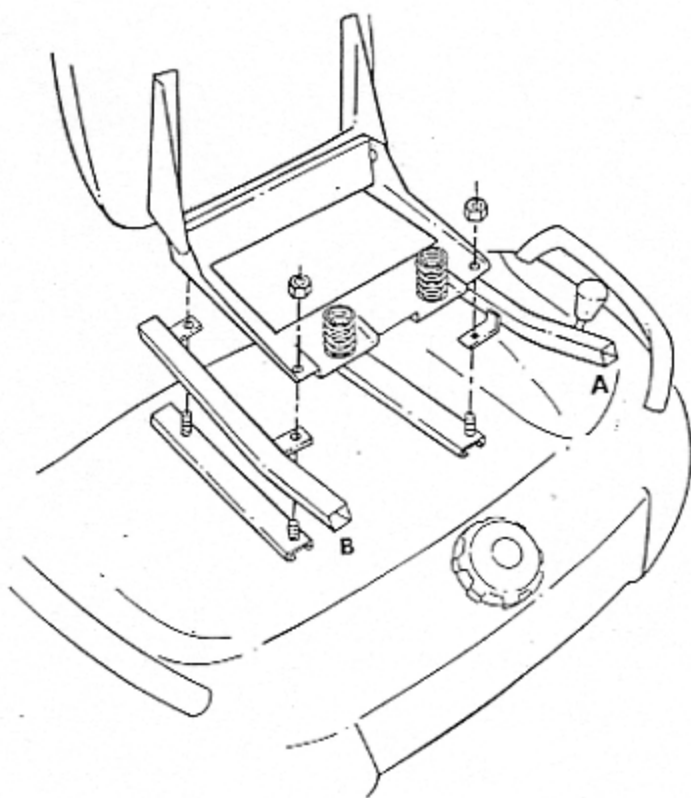
THIS SUNSHADE WILL NOT PROTECT OPERATOR FROM INJURIES CAUSED BY ROLL-OVER,
COLLISION OR OTHER ACCIDENTS

CAUTION !

REMOVE THE VINYL COVER OR THE COMPLETE SUNSHADE TO TRANSPORT THE MACHINE IN
AN OPEN TRUCK OR TRAILER.

**SUNSHADE #30057
PARTS LIST**

PART #	QTY	KEY #	DESCRIPTION
30058	1	A	RECEIVER, RH
30059	1	B	RECEIVER, LH
30070	1	1	BOW, FRONT (Reduced end)
30071	1	2	BOW, FRONT
9290	1	3	BOW, TOP
9291	1	4	BOW, REAR
9296	1	5	POST, RH
9297	1	6	POST, LH
9298	2	7	BRACE
9295-W	1		VINYL COVER
9316	1		HARDWARE PACKAGE (Contents listed below)
786	10	HWP	CAPSCREW, 1/4"-20x5/8" hex
730	10	HWP	LOCKNUT, 1/4"-20



**FIGURE 1: RECEIVERS [A & B]
INSTALLATION INSTRUCTIONS
SUNSHADE MODEL #30057**

COMPLETELY READ INSTRUCTIONS BEFORE BEGINNING INSTALLATION

THE RIGHT SIDE OF THE MACHINE IS DETERMINED FROM THE SEATED
POSITION OF THE OPERATOR

STEP 1; SEE FIGURE 1:

INSTALL:
RECEIVERS[A & B]

- A. Slide seat completely forward and remove the nuts & bolts that hold the seat to the adjusting rail.
- B. Slide seat completely backward and remove the nuts & bolts that hold the seat to the adjusting rail.
- C. Lift seat enough to slip RECEIVERS [A & B] between seat bracket and seat adjuster rail. Replace nuts and bolts, tighten securely.

STEP 2; SEE FIGURE 2:

Assemble shade frame:
FRONT [1 & 2], REAR [4] & TOP [3] BOWS

- A. Lay FRONT BOWS [1 & 2] and REAR BOW[3] on a flat surface. Slip the round ends of the front bows into each other. Align hole "A" of the front bow with hole "a" of the rear bow. Hole "B" should be in alignment with hole "b" now. Align the other side likewise.
- B. At hole "Bb" bolt the two pieces together as shown using ONE 1/4"x5/8" bolt and 1/4" locknut. Repeat for opposite side.
Tighten securely.

- C. At hole "Aa" bolt TOP BOW [3] to front & rear bows as shown using ONE 1/4"x5/8" bolt and 1/4" locknut. Finger tighten.
Repeat for opposite side.

STEP 3; SEE FIGURE 2:

Attach posts & braces to shade frame:
RH POST [5], LH POST [6] & BRACE [7]

- A. Fold top bow down onto front bow and turn assembly completely over.
- B. At hole "d" bolt RH POST[5] onto rear bow using ONE 1/4"x5/8" bolt and 1/4" locknut. Repeat for LH POST[6] on the opposite side.
Only FINGER TIGHT at this time.
- C. At hole "c" bolt BRACE [7] onto rear bow using ONE 1/4"x5/8" bolt and 1/4" locknut. Repeat for BRACE[6] on the opposite side.
Only FINGER TIGHT at this time.
- D. Bolt BRACE [7] to tab on square end of RH POST [5] using ONE 1/4"x5/8" bolt and 1/4" locknut. Repeat for BRACE [7] & LH POST [6] on the opposite side.
Snug all bolts **EXCEPT TOP BOW [3]**.

STEP 4:

Install sun shade assembly

- A. Lightly lubricate square ends of posts with wax.
- B. Hold assembly by round part of post. Slide square ends of post into square ends of RECEIVERS [A & B]. Allow posts to go as far into receivers as possible. **DO NOT FORCE.**
- C. Completely tighten all bolts **EXCEPT** the top bow bolts.

STEP 5:

Install:
VINYL COVER

- A. Pull front pocket of vinyl cover over leading edge of front bow. Continue to pull cover toward rear of frame. Pull rear pockets over rear of frame and down.
- B. Pivot TOP BOW [3] up into place against vinyl cover until cover is snugly in place front and rear.
- C. Tighten top bow bolts completely.

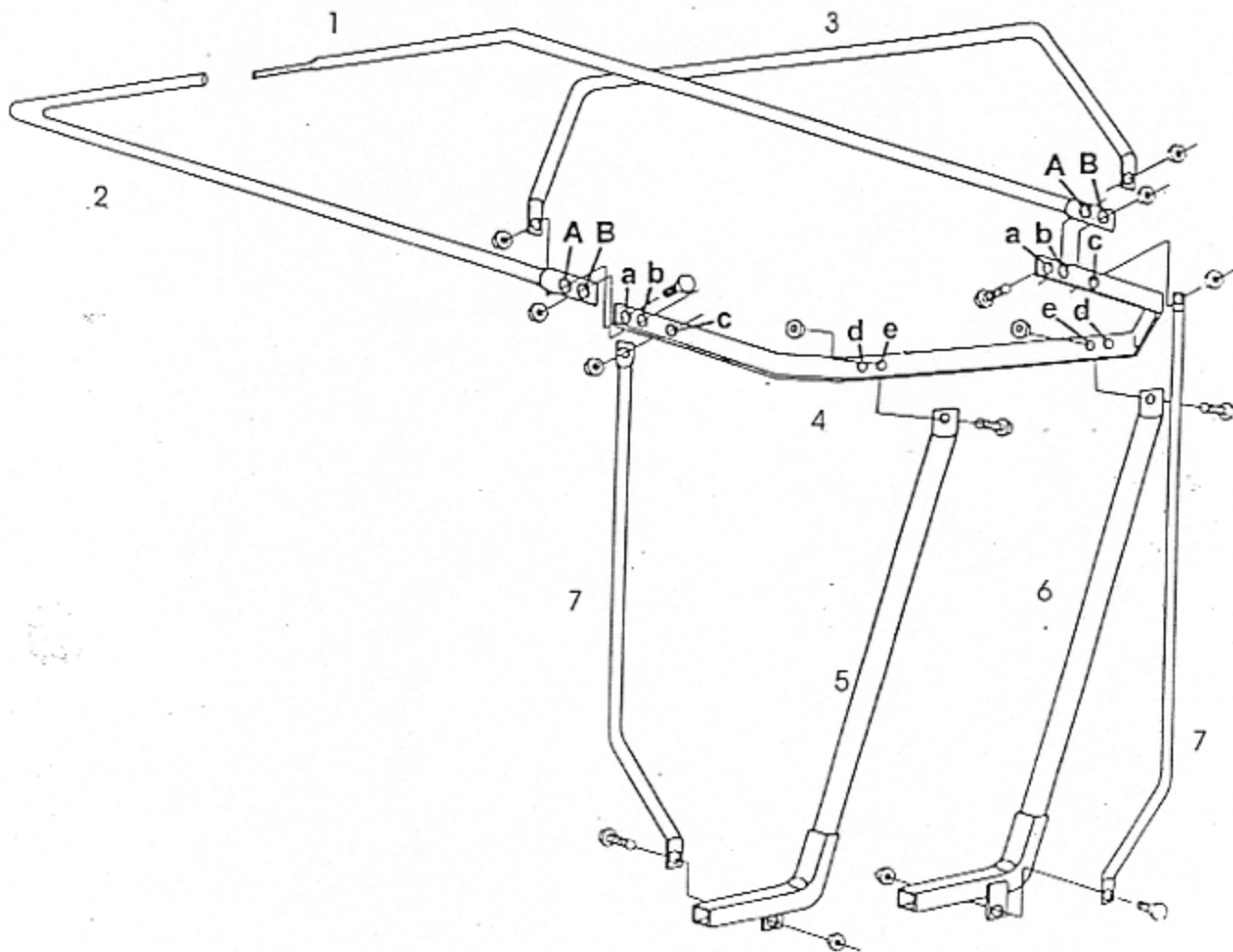


FIGURE 2: