

# MTD SUNSHADE

**MTD PART # 190-607-000**

## **OPERATION – PARTS LIST - ASSEMBLY**

### **IMPORTANT**

**PLEASE READ THIS OPERATION MANUAL CAREFULLY AND COMPLETELY BEFORE BEGINNING INSTALLATION AND KEEP FOR FUTURE REFERENCE**

### **CAUTION**

ALWAYS REMOVE SUNSHADE FROM MACHINE BEFORE TRANSPORTING MACHINE ON AN OPEN TRAILER OR IN AN OPEN TRUCK

### **!! WARNING !!**

THIS SUNSHADE WILL NOT PROTECT THE OPERATOR FROM INJURIES CAUSED BY ROLL-OVER, COLLISION OR OTHER ACCIDENTS

## MTD Fast-Attach Sunshade Model #190-607-000

PART #	KEY #	QTY	DESCRIPTION
30146	A	1	RECEIVER, RH
30147	B	1	RECEIVER, LH
30148	C	1	BRACKET, RECEIVER
30149	D	1	BRACKET, LOWER "L"
30294	E	1	CROSSBAR
30250	4	2	POST
30070	5	1	FRONT BOW (Tapered End)
30071	6	1	FRONT BOW
9290	7	1	TOP BOW
9291	8	1	REAR BOW
9349	9	1	BRACE, RH
9351	10	1	BRACE, LT
9295-W		1	COVER, VINYL
30151		1	HARDWARE PACKAGE (Contents listed below – HWP)
786	HWP	8	Bolt, 1/4" x 5/8"
908	HWP	2	Bolt 1/4" x 1 1/2"
1514	HWP	2	1/4" Flat Washer
730	HWP	10	LOCKNUT, 1/4"
784	HWP	6	BOLT, 5/16" X 3/4"
729	HWP	6	LOCKNUT, 5/16"
9904	HWP	1	PIN, CLEVIS 5/8" X 3"
6835	HWP	1	PIN, #28 HITCH

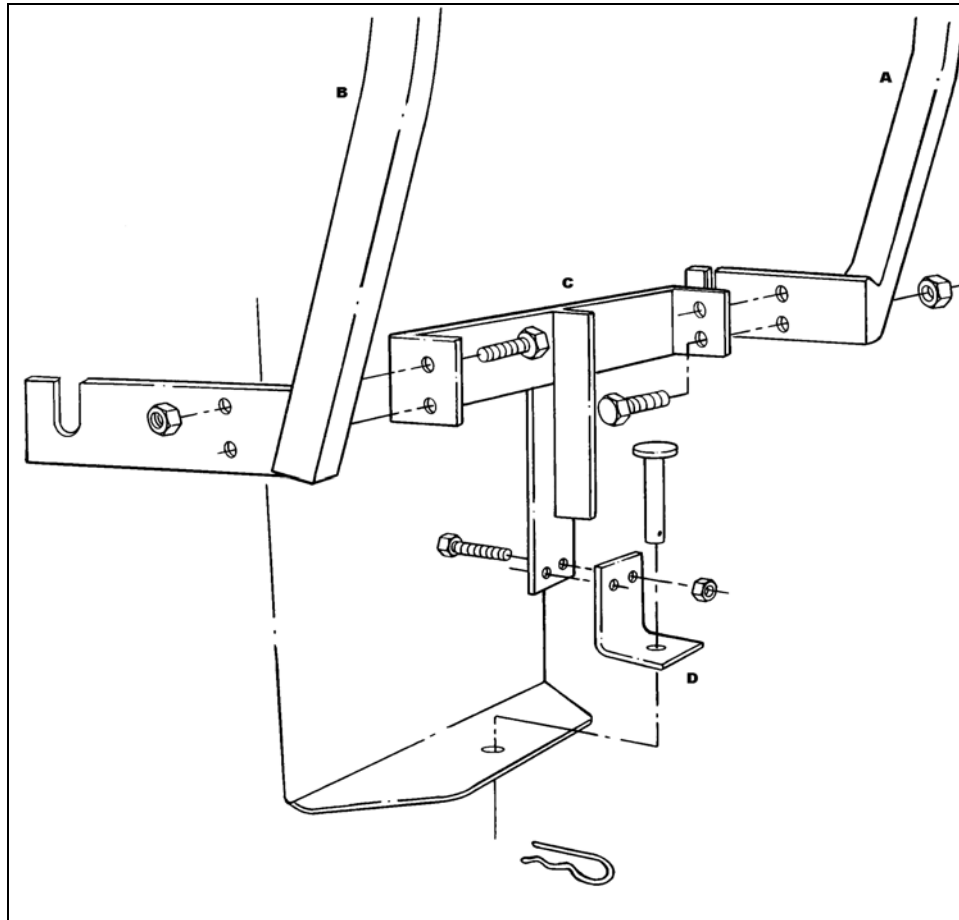


FIGURE 1

# INSTALLATION INSTRUCTIONS

## SUNSHADE MODEL #30134

The right side of the machine is determined from the operator's seated position.

The word "**bolt**" will refer to a 1/4" x 5/8" capscrew and the word "**nut**" will refer to a 1/4" locknut unless otherwise specified.

The number in brackets [#] after a part description in the text refers to the key number for the part on the parts list and in figures 1 and 2.

### STEP 1 ;SEE FIGURE 1:

ASSEMBLE:

RH & LH RECEIVERS [A & B]

RECEIVER BRACKET [C]

LOWER "L" BRACKET [D]

- A. Using four 5/16" x 3/4" bolts and 5/16" locknuts attach the RH & LH RECEIVERS [A & B] to each end of the RECEIVER BRACKET [C].

NOTE: The receiver bracket is between the receivers and the square tube of the receivers is on the outside of the assembly. Tighten completely.

- B. Using two 5/16" x 3/4" bolts and 5/16" locknuts attach the LOWER "L" BRACKET [D] to the lower end of the receiver bracket. Lock nuts on the outside. Do not tighten.

### STEP 2;SEE FIGURE 1:

INSTALL:

RECEIVER ASSEMBLY

- A. Holding the square tube of the receivers in each hand (angle slightly downward) slide the assembly around the rear of the machine. Rotate the assembly up until the open slotted holes of the receivers engages the "quick attach" bolts of the machine.
- B. Align the 5/8" hole of the lower "L" bracket with the 5/8" hole of the machine's tow flange. Insert 5/8" x 3" clevis pin into the holes and secure the clevis pin with #28 hitch pin. Tighten all bolts.

### CAUTION

**NEVER operate the machine with the sunshade installed, without the clevis pin and hitch pin in place. Injury to the operator and damage to the sunshade may result.**

### STEP 3; SEE FIGURE 2:

Assemble shade frame:

FRONT [5 & 6], REAR [8] & TOP [7] BOWS

- A. Slip the tapered end of the front bow into the open end of the other front bow.
- B. Lay front bows and REAR BOW [8] on a flat surface. Align holes of the front bow with the holes of the rear bow. Hole should be in alignment.
- B. At the forward hole of this assembly bolt the top bow to the other parts.

### STEP 3; SEE FIGURE 2:

Attach posts & braces to shade frame:

POSTS [4]

RH & LH BRACES [9 & 10]

A. Fold top bow down onto front bow and turn assembly completely over.

C. Bolt POST [4] onto rear bow using ONE 1/4"x5/8" bolt and 1/4" locknut. Repeat on the opposite side.

**Only FINGER TIGHT at this time.**

C. Bolt RH BRACE [9] onto rear bow using ONE 1/4"x5/8" bolt and 1/4" locknut. Repeat for LH BRACE [10] on the left side.

**Only FINGER TIGHT at this time.**

D. Bolt RH BRACE [9] & CROSS BAR [E] to POST [4] using a 1/4"x 1 1/2" bolt with flat washer and a locknut. Repeat for LH BRACE [10], Cross Bar & POST [4] on the left side.

Snug all bolts **EXCEPT** TOP BOW [7].

### STEP 4:

Install: SUNSHADE ASSEMBLY

A. Lightly lubricate square ends of posts with wax or bar soap.

B. Holding assembly by round part of post. Slide square ends of post into square ends of RECEIVERS [A & B]. Allow posts to go as far into receivers as possible. **DO NOT FORCE.**

C. Completely tighten all bolts **EXCEPT** the top bow bolts.

### STEP 5:

Install: VINYL COVER

A. Pull front pocket of vinyl cover over leading edge of front bow. Continue to pull cover toward rear of frame. Pull rear pockets over rear of frame and down.

B. Pivot TOP BOW [2] up into place against vinyl cover until cover is snugly in place front and rear.

C. Tighten top bow bolts completely.

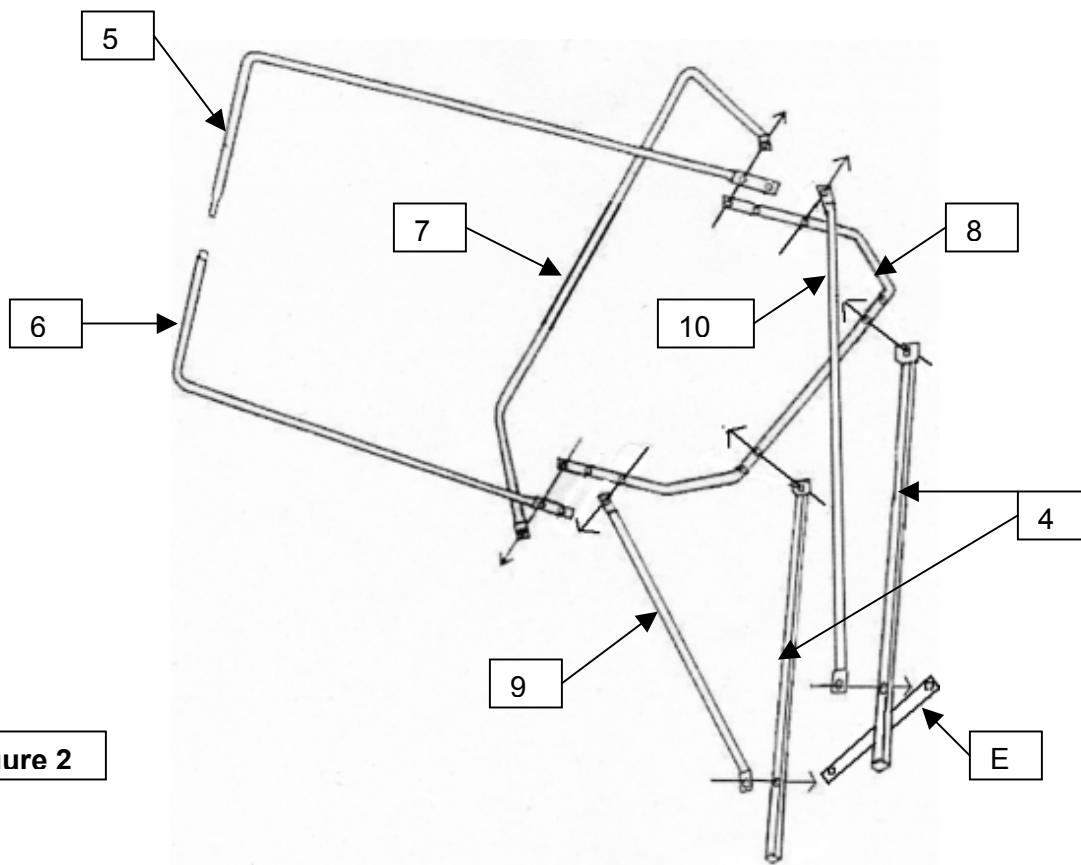


Figure 2