



**SUNSHADE #30265 FOR: Cub Cadet 1000 / 1500 Series
Lawn Tractors**

OPERATION - PARTS LIST - ASSEMBLY

IMPORTANT

READ THIS MANUAL CAREFULLY AND KEEP FOR FUTURE REFERENCE

CAUTION

**REMOVE THE VINYL COVER OR THE COMPLETE SUNSHADE FOR TRANSPORT IN AN
OPEN TRUCK OR TRAILER**

! WARNING

**THIS SUNSHADE WILL NOT PROTECT OPERATOR FROM INJURIES CAUSED BY
ROLLOVER, COLLISION, OR OTHER ACCIDENTS**

CARTON CONTENTS: SUNSHADE #30265

PART#	KEY#	QTY.	DESCRIPTION
30266	1	1	Receiver, RH
30267	2	1	Receiver, LH
9292	3	1	Post, RH
9293	4	1	Post, LH
9298	5	2	Brace
30070	6	1	Front Bow 1/2 (tapered end)
30071	7	1	Front Bow 1/2
9291	8	1	Rear Bow
9290	9	1	Top Bow
9295-W		1	Vinyl Cover
30268		1	Hardware Package (contents listed below)
786		10	1/4"-20 x 5/8" Cap Screw
730		10	1/4"-20 Two-Way Locknut
784		2	5/16"-18 x 3/4" Cap Screw
9810		2	3" x 3/4" Foam Tape

STEP 1; SEE FIGURE 1:

Install Receivers (1 & 2)

- A.** Remove the nuts from the shoulder bolts at Reference A.
- B.** Remove the bolts from the springs at Reference B.
- C.** Place a piece of foam tape on the receiver where it will contact the fender.
- D.** Place the right Receiver on the fender as shown. Replace the nut and bolt and then tighten.
- E.** Repeat the above steps on the left side with the left Receiver.

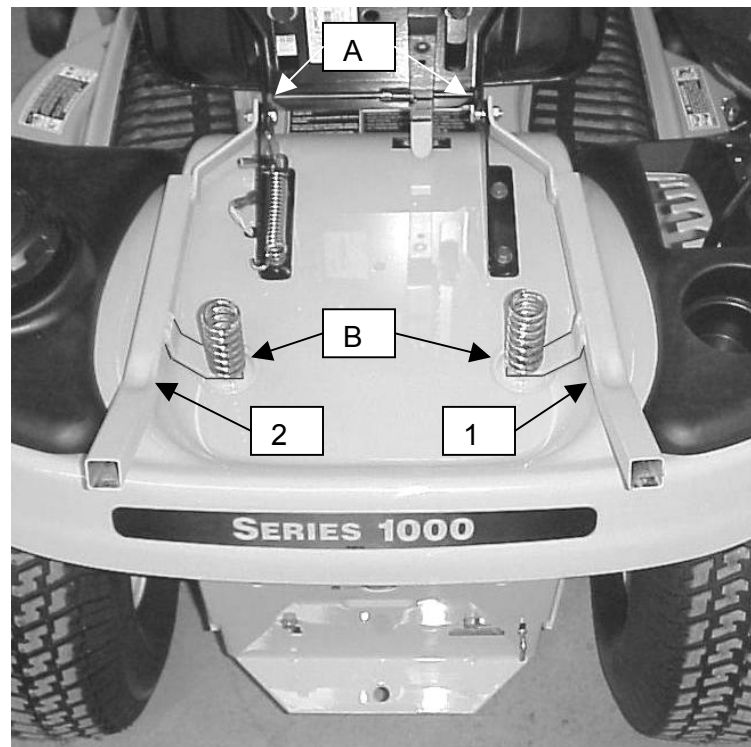


Figure 1

STEP 2; SEE FIGURE 2:

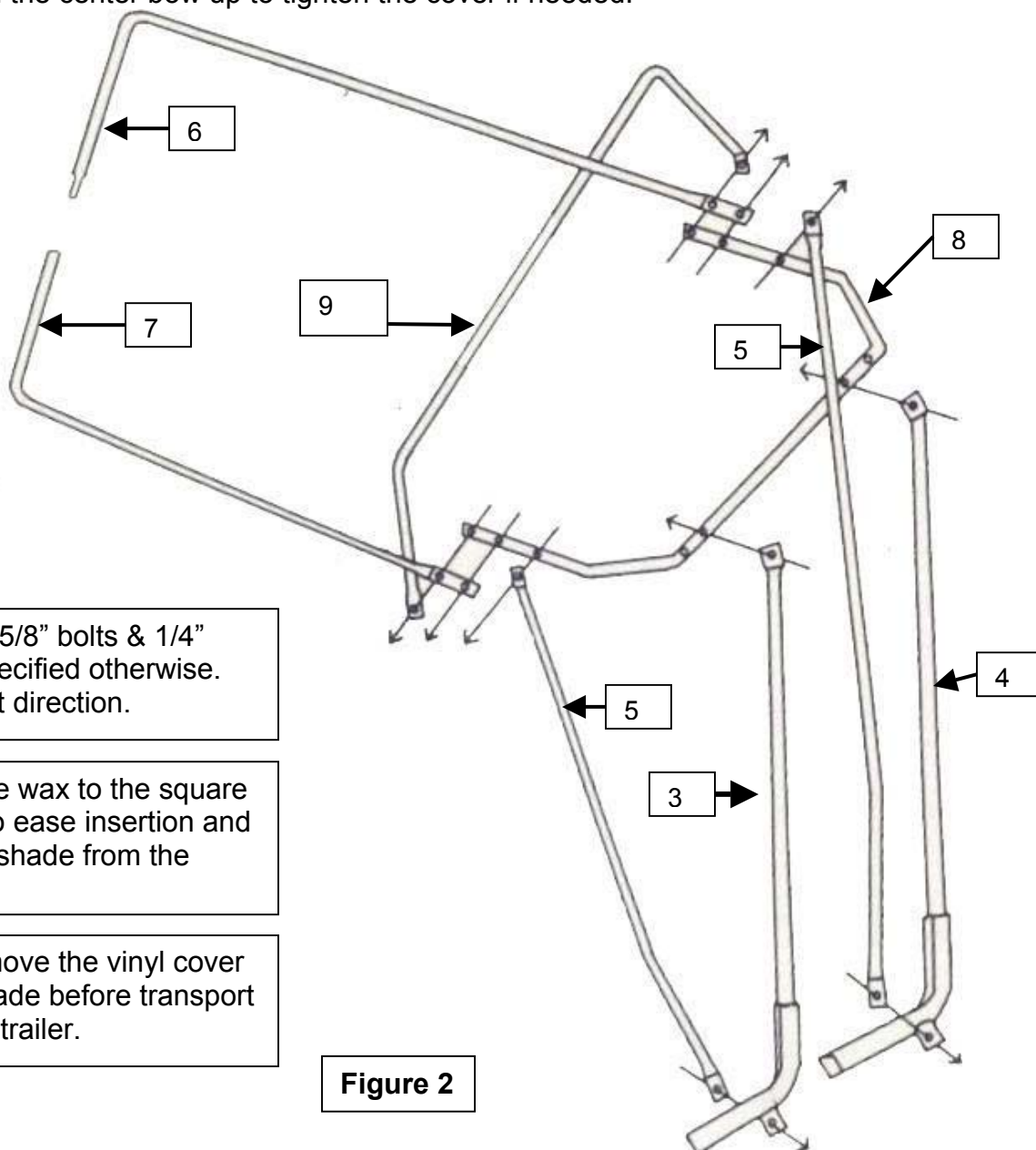
Assemble Frame

A. Connect the Front Bow Halves (6 & 7). Lay the Front Bow and Rear Bow (8) on a flat surface. Place the ends of the front bow on the outside of the ends of the rear bow. Insert four bolts outwards through the ends of the bows. Place the ends of the Top Bow (9) over the two forward bolts of the assembly. Add two locknuts and tighten keeping the top of the center bow leaning about 4" forward of vertical.

B. Refer to the illustration to attach the Posts (3 & 4) and Braces (5) to the assembled frame. Do not tighten the bolts at this time.

C. Insert the square ends of the posts into the receivers on the tractor. Tighten all bolts while keeping the framework level.

D. Slip the front of the Vinyl Cover over the front bow. Pull the rear of the cover down over the rear bow. Push the center bow up to tighten the cover if needed.



NOTE: Use 1/4" x 5/8" bolts & 1/4" lock nuts unless specified otherwise. Arrows indicate bolt direction.

NOTE: Apply some wax to the square ends of the posts to ease insertion and removal of the Sunshade from the receivers.

IMPORTANT: Remove the vinyl cover or the entire sunshade before transport in an open truck or trailer.

Figure 2

For Replacement Parts and Accessories Contact:

Original Tractor Cab Co., Inc.

P.O. Box 97 6849 W. Front St.

Arlington, IN 46104

Phone 765-663-2214

Fax 765-663-2101

Email Sales@originalcab.com

Visit us on the web to see our other products.

www.originalcab.com

Cabs for Lawn Tractors, Garden Tractors, Compact Tractors, Snow Blowers, Utility Vehicles

Sunshades for Tractors, Mowers, & Utility Vehicles

Storage Covers for Lawn and Garden equipment.

LIMITED WARRANTY

COVERED BY WARRANTY

ORIGINAL TRACTOR CAB CO., INC., (the "Company") warrants to the owner that each new product listed below is merchantable and free of defects in workmanship and material.

During the warranty period, the dealer from whom the product was bought, or the Company, will provide, free of charge, parts and the shipping costs of parts necessary to correct any defect in workmanship and material.

WARRANTY PERIOD

The company products listed below are warranted for the stated period from the date of the original purchase:

- | | |
|--|--------|
| 1. Cabs for tractors and snow removal equipment | 1 Year |
| 2. Company manufactured accessories for above cabs | 1 Year |
| 3. Sunshades for lawn and garden tractors | 1 Year |
| 4. Repair parts | 1 Year |

OWNER'S RESPONSIBILITIES

The owner of a new Company manufactured product must do the following to qualify for warranty service:

1. Retain the original invoice or other proof of purchase to avoid unnecessary difficulties in determining eligibility for warranty work.
2. Notify the dealer from whom the product was bought, or the company, as soon as possible after discovery of a possible defect, and provide proof of original purchase.

To notify the company write to: Original Tractor Cab Co., Inc., P.O. Box 97, Arlington, IN 46104.

3. the owner may, upon notification by the Company, be required to return the defective part, or parts, to the Company for inspection and warranty service.

NOT COVERED BY WARRANTY

The following are not covered by this warranty:

1. Transportation charges to and from servicing dealer or the Company;
2. New products that have been subject to misuse, negligence or accident, or have been altered or repaired in a manner not authorized by the company;
3. Windshield wipers, lights, or accessories that are warranted separately by their respective manufacturers, except Company agrees to make available to the owner whatever warranty benefits may be made available to the Company by the manufacturers.

All implied warranties, except to the extent prohibited by any applicable law, shall have no greater duration than the warranty period for the applicable product, some states do not allow limitation on how long an implied warranty lasts, so the above limitation may not apply to you.

The Company's liability arising out of warranties representation, instructions, or defects from any abuse, shall be limited exclusively to repair or replacing parts under the condition in the warranty, and in no event will Company be liable for incidental or consequential damages. Some states do not allow the exclusion or limitation of incidental or consequential damages, so the above limitation or exclusion may not apply to you.

This warranty gives you specific legal rights, and you may also have rights that vary from state to state.