

SNOWTHROWER
SNOW CAB
Model #390-674-000

PARTS LIST / ASSEMBLY / OPERATION

! IMPORTANT !

READ THIS ASSEMBLY MANUAL CAREFULLY AND KEEP FOR FUTURE REFERENCE

**REMOVE THE VINYL COVER BEFORE TRANSPORTING THE SNOW BLOWER IN AN OPEN
TRUCK OR TRAILER.**



WARNING



1. This cab is designed to provide foul weather protection only. It does not provide protection from noise, exhaust fumes, chemicals or injury from collision, rollover or other accidents.
2. Do not operate machine in confined areas without proper ventilation.
3. Thoroughly check area of operation before using machine.
4. The cab adds height to the machine. Low tree limbs and other overhead structures that did not interfere with the operation of the machine before, may now be obstacles.

MAINTENANCE INSTRUCTIONS

- A. Periodically check all bolts to see that they are tight. If bolts become loose, failure of cab parts may occur.

**DO NOT CLEAN THE CLEAR PLASTIC WINDOWS WHEN THE PLASTIC IS DRY.
THE CLEAR PLASTIC WILL SCRATCH.**

- B. Avoid contact with plastic windows. Keep plastic windows clean by washing them with clear running water and rubbing with your bare hands, only. The use of a rag, sponge or brush will scratch the plastic. Liquid soap may also be used for window cleaning. During freezing weather, an automotive windshield washer solvent may be used.
- C. Use liquid soap and water to clean colored vinyl portions. Scrubbing with a brush or rag is also permitted on the colored vinyl portions.

STORAGE INSTRUCTIONS

Prior to storage clean the windows and colored vinyl parts with a mild automotive detergent, rinse with clean water and allow to thoroughly dry, Store cab in a clean dry place out of direct sunlight. Avoid folding plastic windows.

**SNOWTHROWER SNOWCAB MODEL #390-674-000
CARTON CONTENTS**

KEY #	PART #	QTY	DESCRIPTION
1	9546	1	BRACKET, RH
2	9547	1	BRACKET, LH
3	4977	2	POST, FRONT
4	2389	1	HORIZONTAL CURVED BOW
5	4968	1	REAR VERTICAL BOW
6	2230	1	TOP FRAME
7	9354-B	1	VINYL COVER
8	9234	4	1" "U" Clamp
9	2236	2	1 1/4" "U" Clamp
	9548	1	HARDWARE PACKAGE (Contents Listed Below)
	0788	6	1/4"-20 X 3/4" Cap Screw
	0926	2	1/4" -20 X 1" Cap Screw
	6653	2	1/4"-20 X 2" Cap Screw
	4556	4	1/4" Fender Washer
	0730	10	1/4"-20 Two Way Locknut
	1175	4	5/16"-18 x 1 3/4" Cap Screw
	0729	4	5/16" Two Way Locknut
	7929	2	Caplug

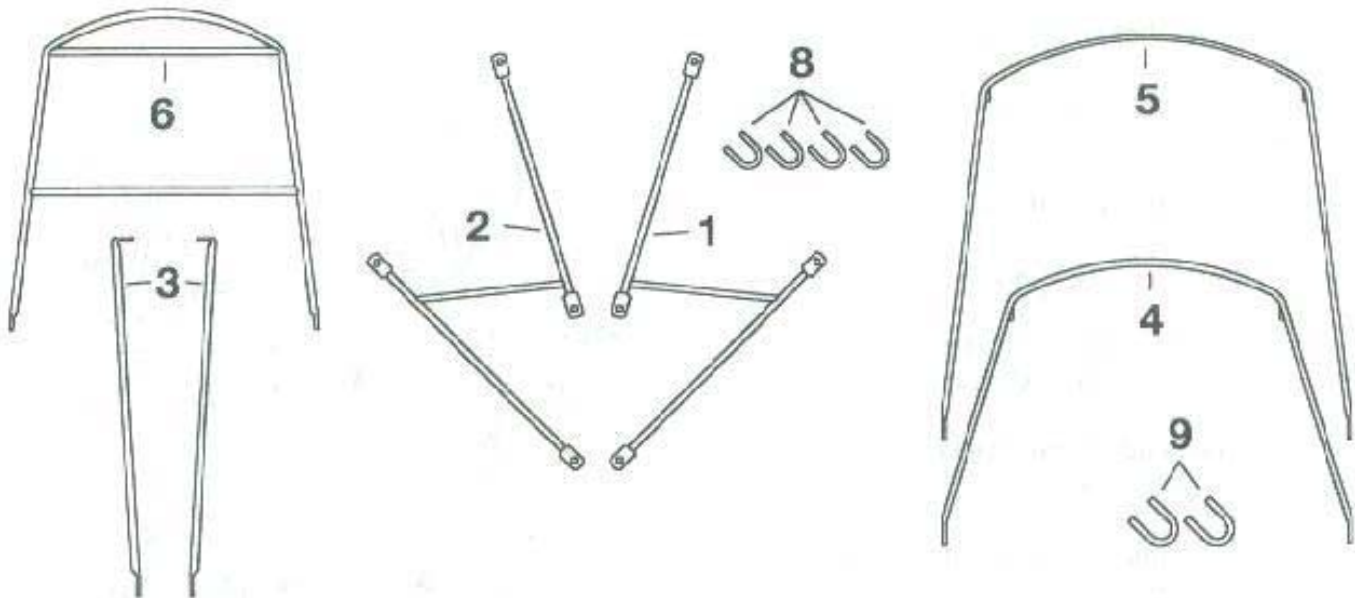


Figure 1

STEP 1; SEE FIGURE 1:

Use figure one to identify all of the steel frame parts.

INSTALLATION INSTRUCTIONS

READ THESE INSTRUCTIONS COMPLETELY BEFORE INSTALLATION.

The right side of the cab is determined from the operator's position.

NOTE: Match your snowblower handlebar to the illustration and follow the corresponding instructions

STEP 2; SEE FIGURE 2:
Install Brackets, Left and Right (1&2)
For 2004 & up Models

A. Remove the bolt at Reference A. Place the right Bracket onto the side of the handlebar and replace the bolt. Do not tighten at this time.

B. Place the 1" U Clamp over the handlebar open end forward. Insert a 5/16" x 1 3/4" bolt inwards through the clamp. Place the lower hole of the Bracket over the bolt on the inside of the handlebar. Add a nut. Do not tighten at this time.

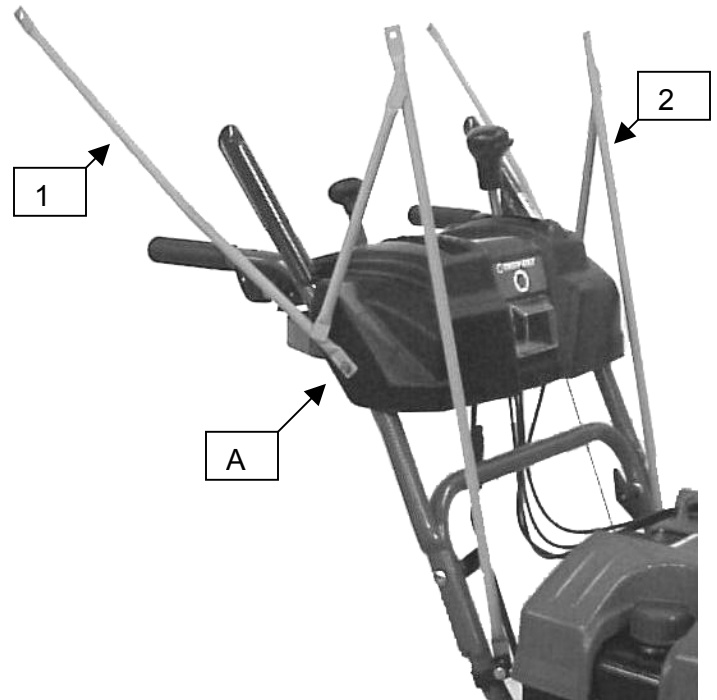


Figure 2

2004 & up Models

! WARNING!

Make sure that the installed brackets do not interfere with the operator controls.

STEP 2; SEE FIGURE 3:
Install Brackets, Left and Right (1&2)
For 1990 to 2003 models

A. Attach bottom end of Bracket with a 1" U Clamp and 5/16" x 1 3/4" bolt and locknut. Keep U Clamp open end up with Bracket on the outside. Do not tighten at this time.

B. Remove the carriage bolt at Reference M. Insert a 5/16" x 1 3/4" bolt through the Bracket and then the handlebar. Add a 5/16" locknut. Do not tighten at this time.

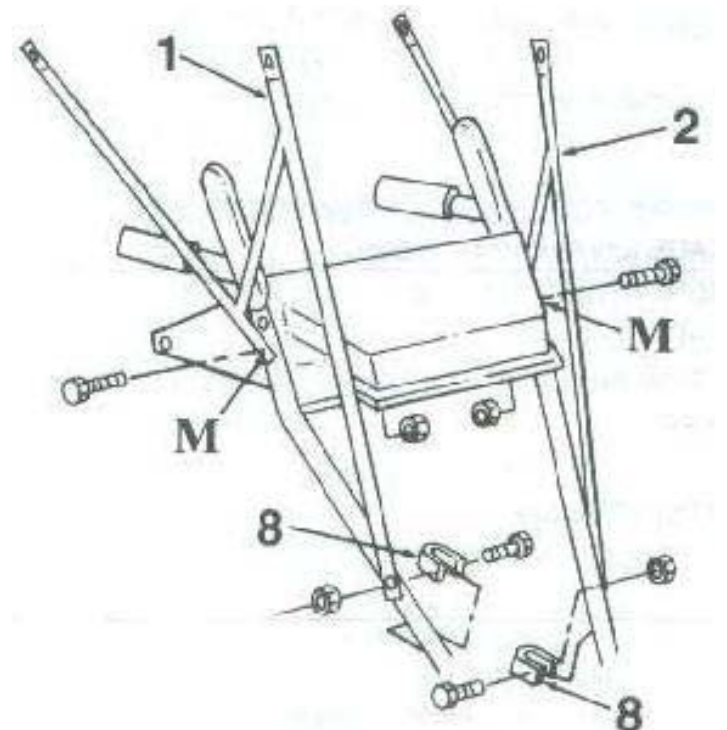


FIGURE 3

1990 to 2003 models

STEP 2; SEE FIGURE 4:

**Install Brackets, Left and Right (1&2)
For 1990 to 2003 Economy Models**

A. Remove the bolts at Reference N. Drill the hole out to 5/16”.

B. Insert a 5/16” x 1 3/4” bolt inwards through the lower hole in the Bracket and then the handlebar. Add a locknut do not tighten at this time.

C. Remove the carriage bolt at Reference P. Insert a 5/16” x 1 3/4” bolt through the Bracket and handlebar. Add a locknut. Do not tighten at this time.

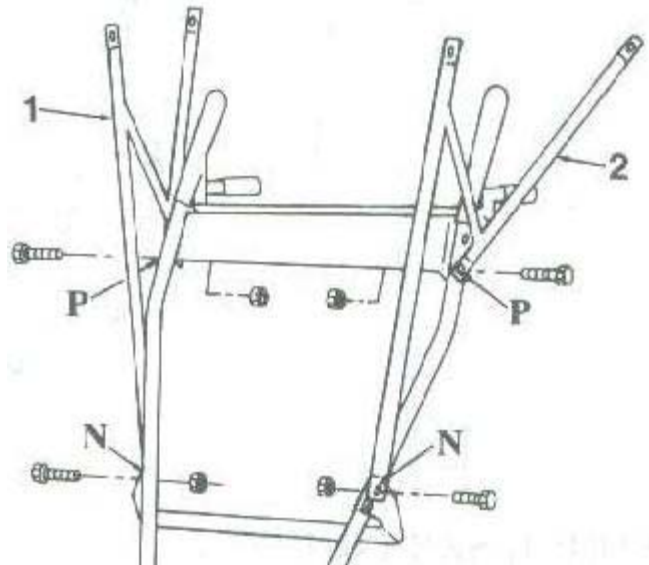


Figure 4 1990 to 2003 Economy Models

STEP 2; SEE FIGURE 5:

**Install Brackets, Left and Right (1&2)
For 1985 to 1990 Models**

A. Remove the carriage bolts at Reference Q. Insert a 5/16” x 1 3/4” bolt through the Bracket and handlebar. Add a locknut. Do not tighten at this time.

B. Place the 1 1/4” U Clamp over the handlebar open end forward. Insert a 5/16” x 1 3/4” bolt inwards through the clamp. Place the lower hole of the Bracket over the bolt on the inside of the handlebar. Add a nut. Do not tighten at this time.

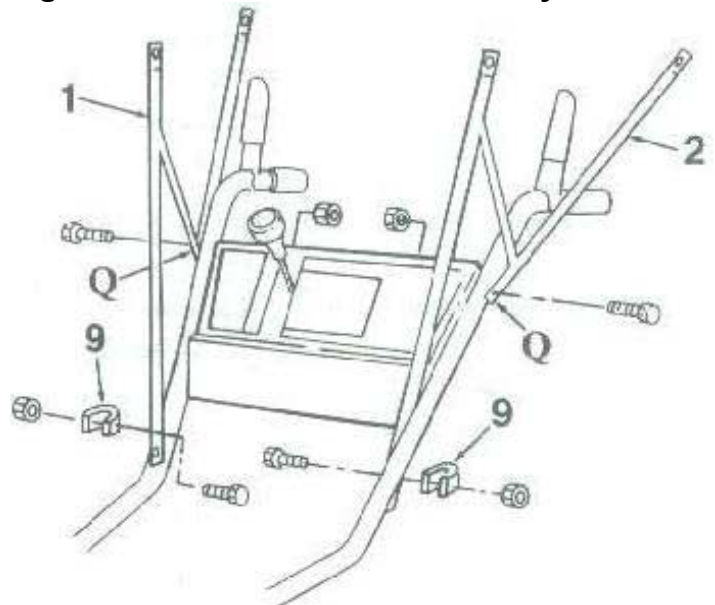


FIGURE 5 1985 to 1990 Models

STEP 2; SEE FIGURE 6:

**Install Brackets, Left and Right (1&2)
For Pre 1985 Models**

A. Place the 1” U clamps against the top of the control panel open end up. Insert 5/16” x 1 3/4” bolts inwards. Add locknuts. Do not tighten at this time.

B. Place the 1” U Clamps open end pointed down over the handlebar. Insert 5/16” x 1 3/4” bolts inwards. Add locknuts. Do not tighten at this time.

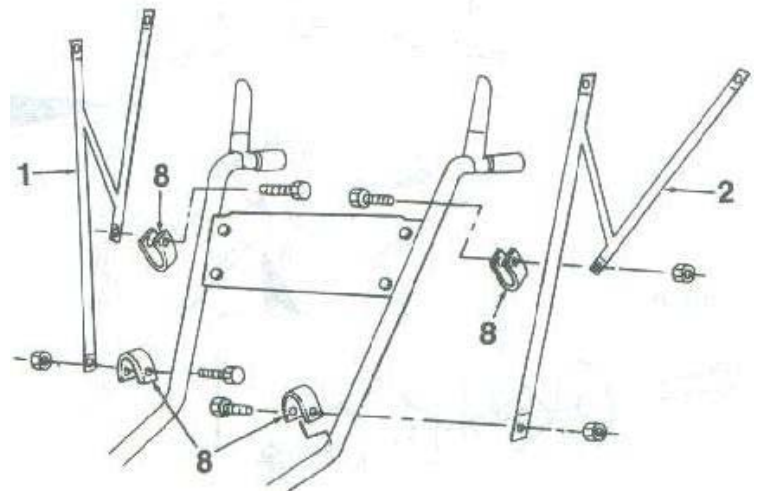


FIGURE 6 Pre 1985 Models

STEP 3; SEE FIGURE 7:

- A. Attach the Horizontal Bow (4) and the Front Posts (3) to the Brackets (1 & 2) using two 1/4" x 3/4" bolts and locknuts (refer to detail A).
- B. Position the Front Posts on the inside of the assembly, the mounting tabs on the Horizontal Bow in the middle and the Brackets on the outside.
- C. Be sure the tops on the Front Posts point toward each other.
- D. Keep the bolt heads on the exterior of the enclosure. Do not tighten the bolts at this time

STEP 4; SEE FIGURE 7:

- A. Mount each leg of the Rear Vertical Bow (5) to the Brackets and the Horizontal Bow using a 1/4 x 1" bolt, two 1/4" fender washers, and a locknut (refer to detail B).
- B. Be sure that the tabs on the Rear Vertical Bow are towards the front of the cab.
- C. Position the bolt on the inside of the cab, with a fender washer on each side of the framework.
- D. Position the Bracket on the inside of the assembly, with the Rear Vertical Bow in the middle, and the Horizontal Bow on the outside. Do not tighten bolts at this time.

STEP 5; SEE FIGURE 7:

- A. Attach the Top Frame (6) to the Rear Vertical Bow and the Front Posts using four 1/4" x 3/4" bolts and locknuts.
- B. Keep the bolt heads on the exterior of the frame.
- C. Position the Rear Vertical Bow on the inside of the Top Frame.
- D. **Tighten all the bolts** making sure that the Rear Vertical Bow (5) is at a **90-DEGREE** angle to the Horizontal Bow (4).

NOTE: This angle is critical so that the vinyl cover fits properly.

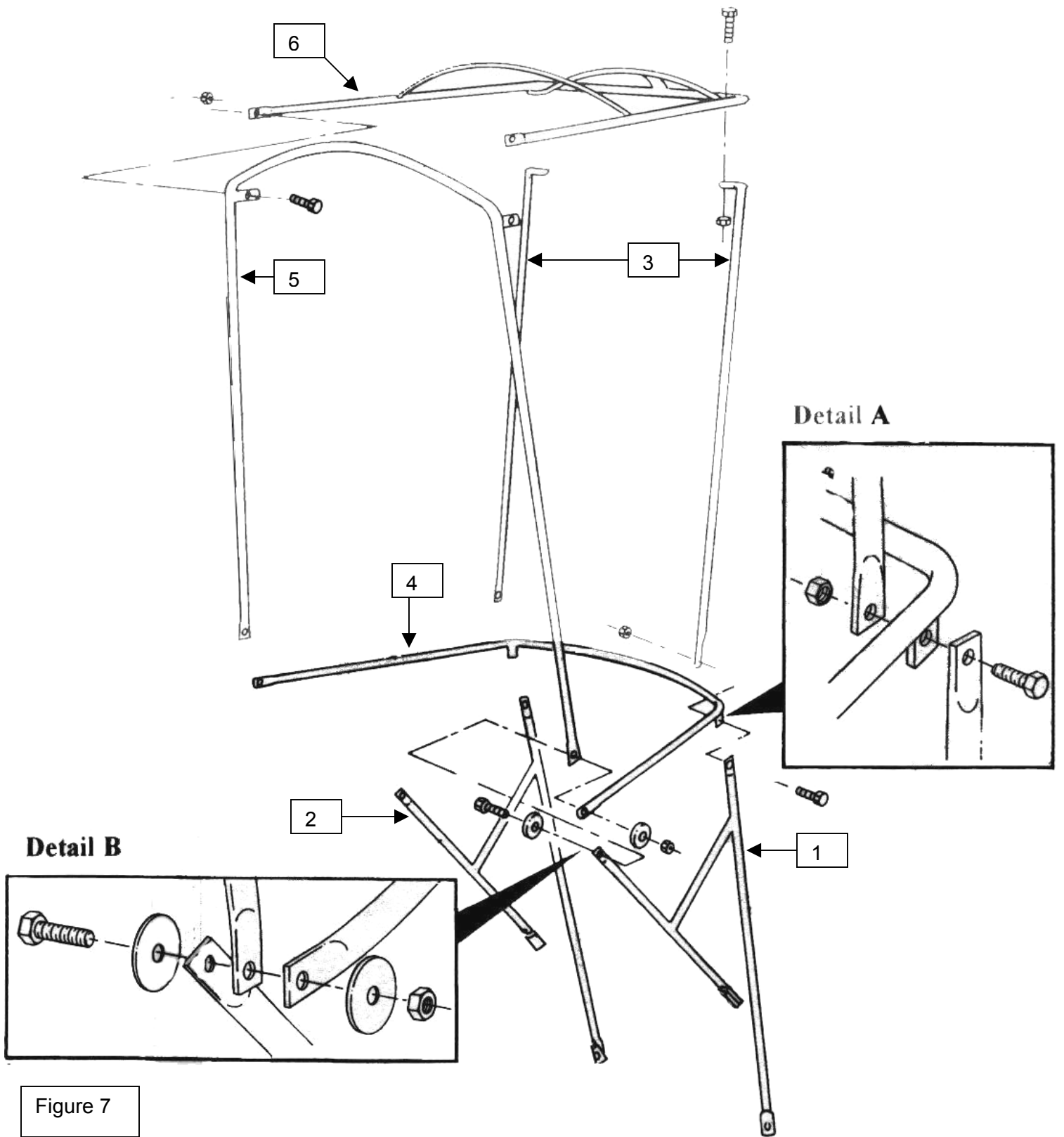


Figure 7

STEP 6; SEE FIGURE 8:

Install the Vinyl Cover (7) over the framework.

- A. Place the Vinyl Cover over the frame and secure all of the snaps.
- B. Place a capplug over the exposed threads of the 1" bolt on both sides at Reference C.

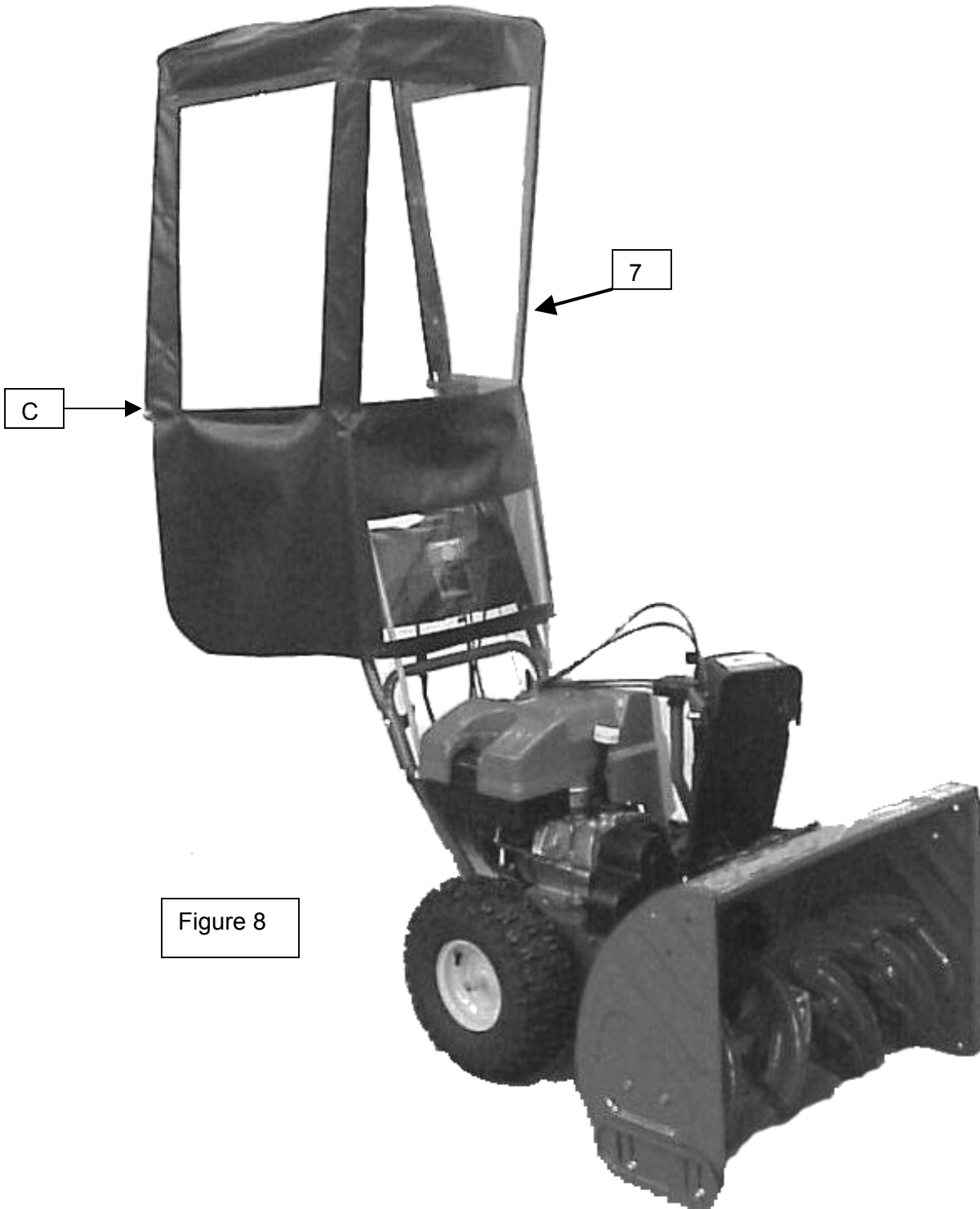


Figure 8

MTD customer service 1-800-800-7310