

DOOR HARDWARE PACKAGE

#9820

KEY #	QTY.	PART#	DESCRIPTION
1	2	9796	DOOR LATCH
2	2	9746	SPRING
3	2	9794	VINYL GRIP
	4	15	DOOR HINGE
	8	9815	1/4"-20 X 1/2" HEX CAPSCREW
	8	730	1/4"-20 2-WAY LOCKNUT
	1	9820	INSTRUCTIONS

INSTALL DOOR LATCHES

Will require 1- 3/32" Allen wrench.

SEE FIGURE 1:

- Loosen the setscrews in the collar welded to the door and pull the rod out.
- Slide a Spring (2) over the rod to the stop.
- Slide a Door Latch (1) onto the rod. Reinsert the rod into the collar. Tap lightly to seat the rod. Tighten the setscrews.
- Slide a Vinyl Grip (3) over the straight end of the door latch.

NOTE: The vinyl grip goes to the outside with the hook to the inside.

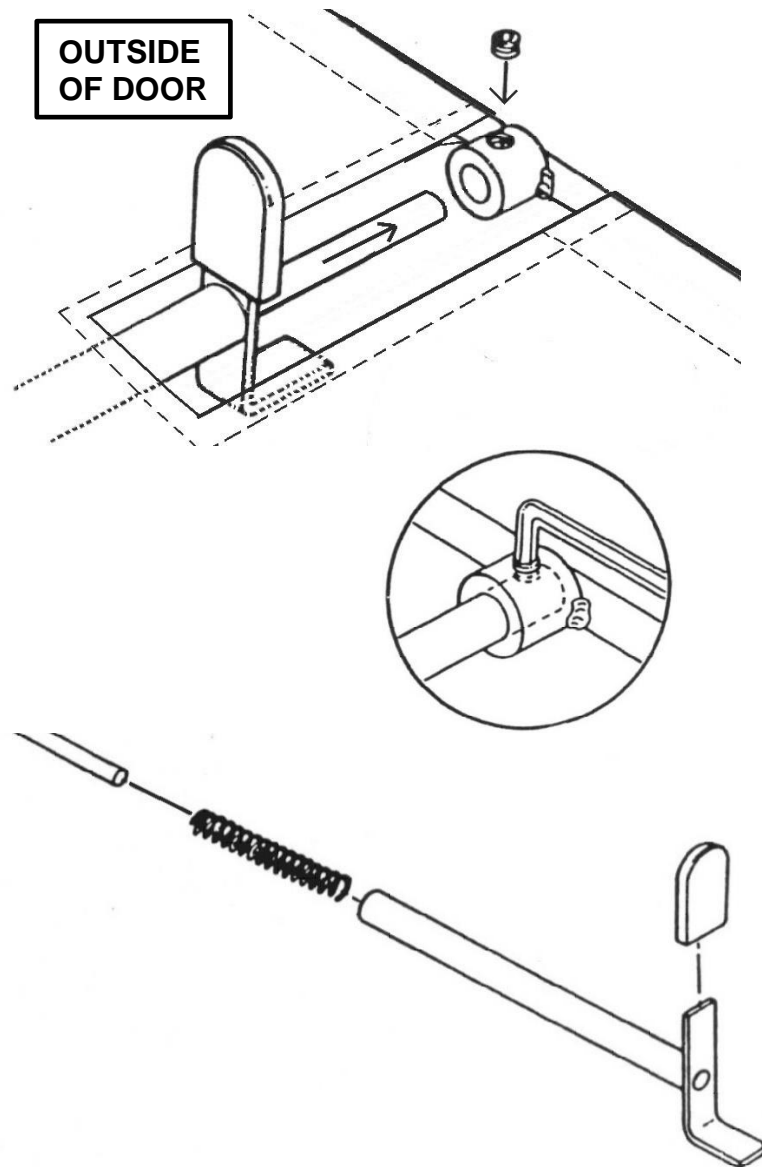


FIGURE 1

INSTALL HINGES & DOORS

Will require 2 – 7/16" wrenches

SEE FIGURE 2:

- A. Use two 1/4" x 5/8" bolts from the cab hardware to fasten the bottom hinges to the post of the cab frame.
- B. Place a hinge over the rod at the top of the door and fasten with a 1/4" x 1/2" bolt and locknut.

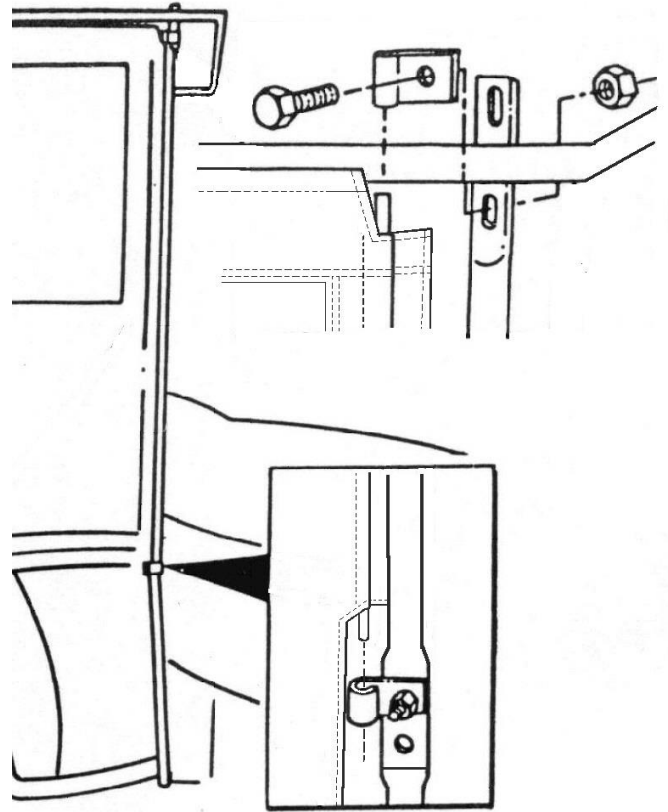


FIGURE 2

INSTALL DOOR BOTTOMS

SEE FIGURE 3:

- A. Insert two 1/4" x 1/2" bolts into the holes in the lower doorframe with the heads against the vinyl.
- B. Place the door bottom over the holes, add lock nuts and tighten.
- C. Close the Velcro® flaps around the rod.

NOTE: The Door Bottom in this cab kit may differ in appearance from the example shown in Figure 3.

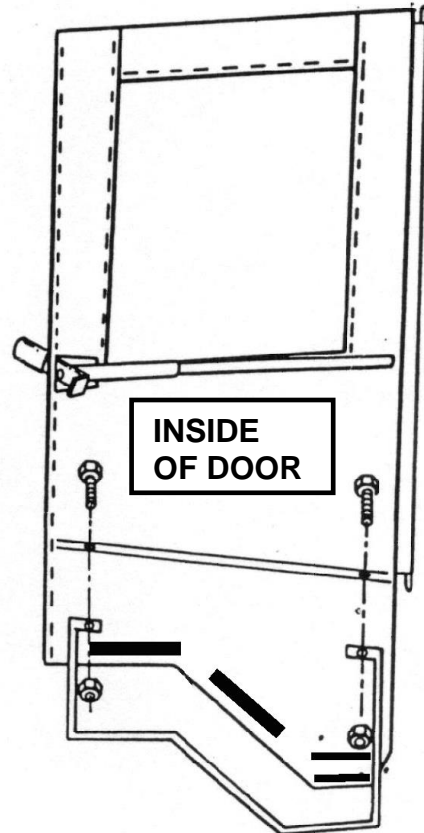


FIGURE 3